
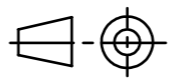
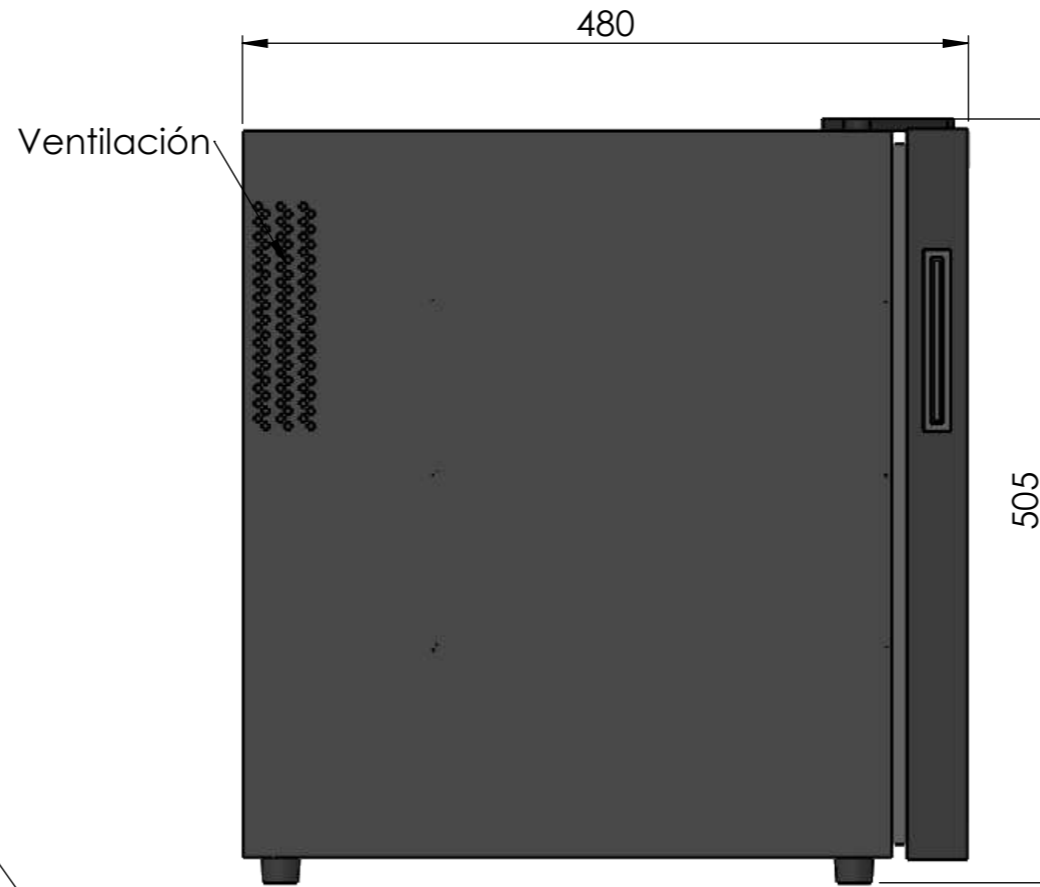


# CV016

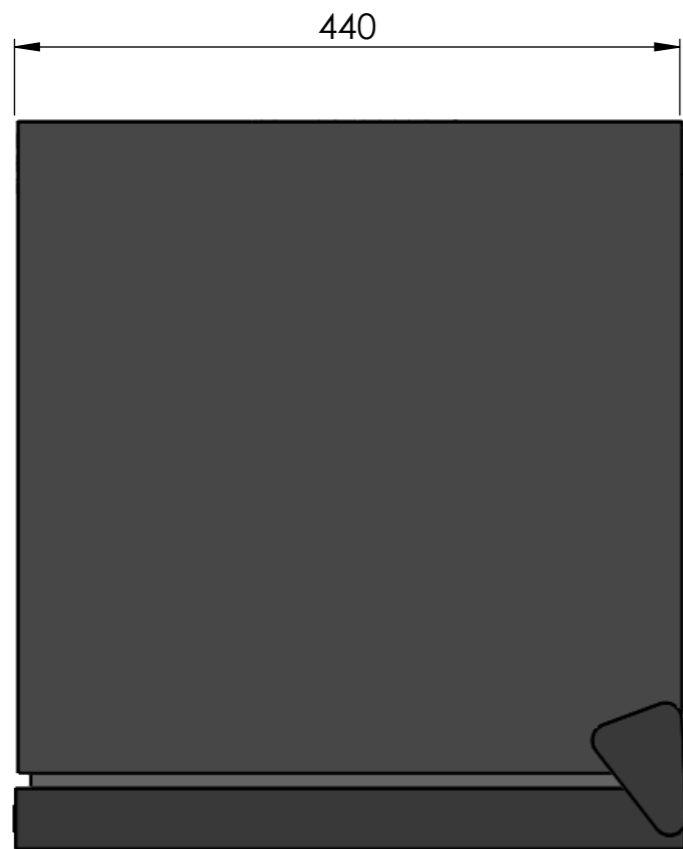
	Date	Name	 <small>THE INFORMATION CONTAINED IN THIS DRAWING IS THE SOLE PROPERTY OF CAVANOVA. ANY REPRODUCTION IN PART OR AS A WHOLE WITHOUT THE WRITTEN PERMISSION OF CAVANOVA IS PROHIBITED.</small>	
Design:	03/12/2018	Diego		
Checked:		Diego		
Modified:		Diego		
Notes:	Scale: 1:10	Part name: CV016	Top assembly: CV016	Client:
		Description: Vinoteca para 16 botellas		Material:
				Reference: CV016
				Count:
				Pages: 1 OF 4



ALZADO



PERFIL



PLANTA



control  
temperatura  
y luz

DATOS TÉCNICOS	
Volumen	46L
Botellas	16
Frecuencia	50-60hz
Consumo	1(15°C)kw/d
Voltaje	220/240-110/115V
Ruido	38db
Humedad interior	>70% RH
Sistema de frío	Termoeléctrico
Rango de temperatura	10-18°C

	Date	Name
Design:	03/12/2018	Diego
Checked:		Diego
Modified:		Diego
Scale: 1:10	Part name: CV016	
Unit:	Top assembly: CV016	

**cavanoa**

THE INFORMATION CONTAINED IN THIS DRAWING IS THE SOLE PROPERTY OF CAVANOVA WINE S.L. IN MÁLAGA, SPAIN. ANY REPRODUCTION IN PART OR AS A WHOLE WITHOUT THE WRITTEN PERMISSION OF CAVANOVA WINE S.L. IS PROHIBITED.

Sign:

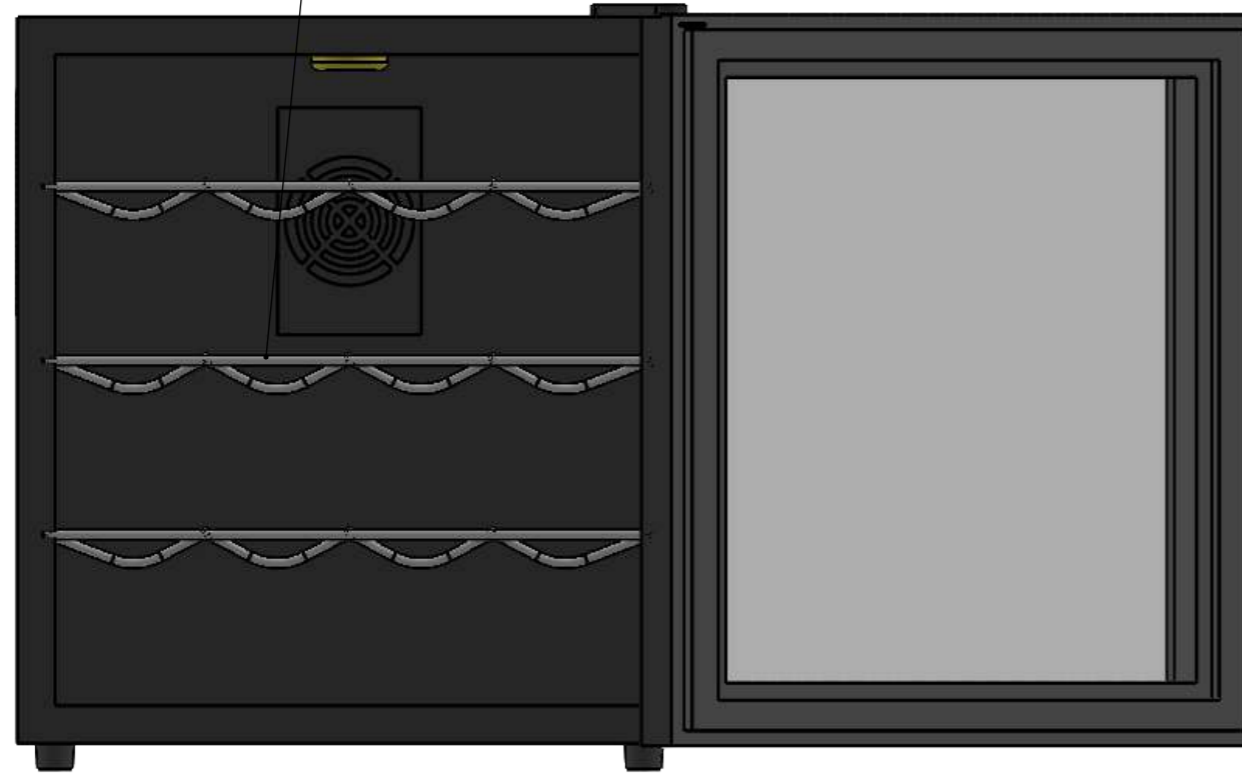
Description:  
Vinoteca para 16 botellas

Client:  
Material:  
Reference: CV016  
Count:  
Pages: 2 OF 4

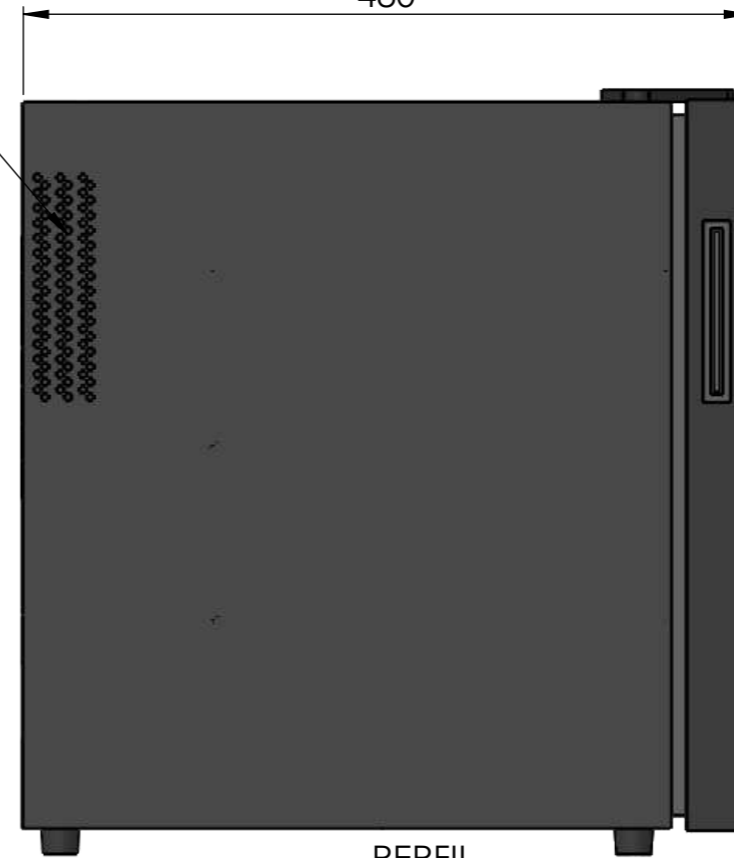
3 baldas cromadas

Ventilación

480



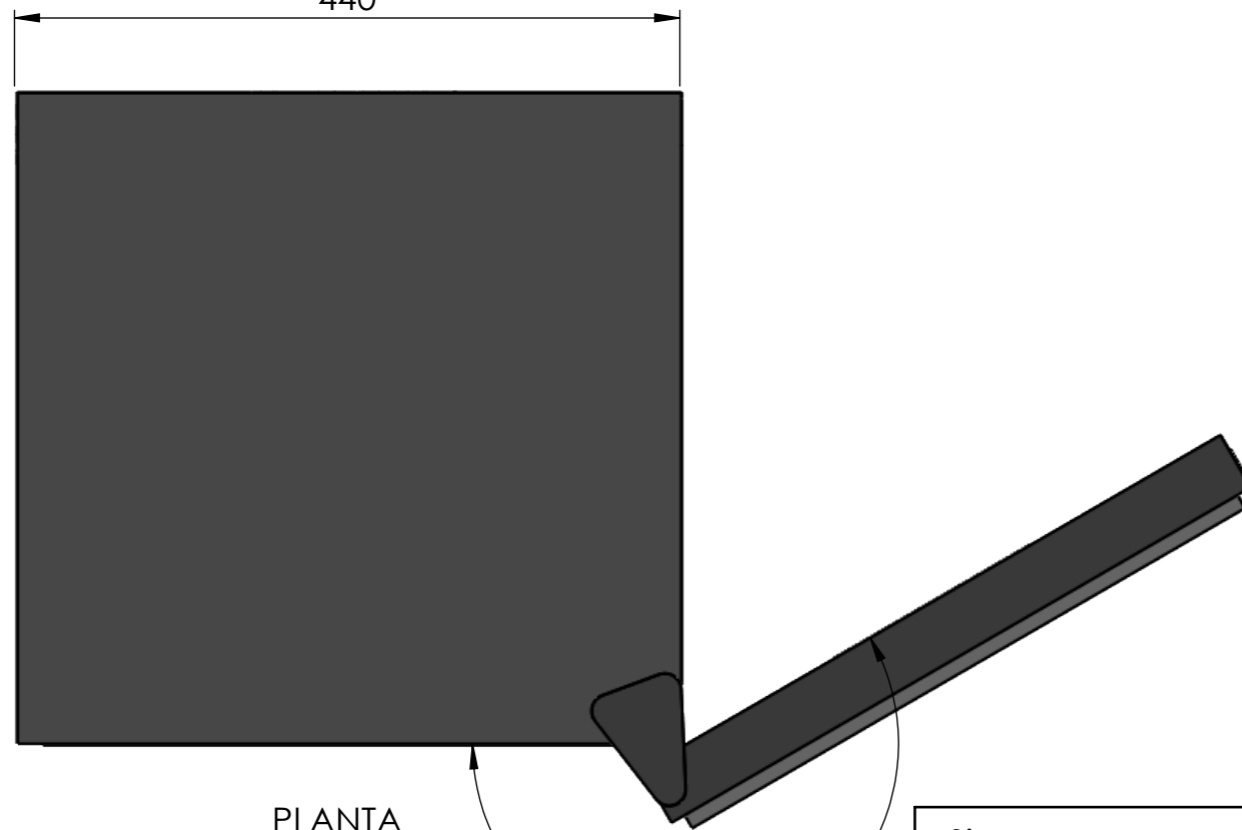
ALZADO



PERFIL



440



PLANTA

210°max. apertura

DATOS TÉCNICOS

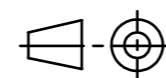
Volumen	46L
Botellas	16
Frecuencia	50-60hz
Consumo	1(15°C)kw/d
Voltaje	220/240-110/115V
Ruido	38db
Humedad interior	>70% RH
Sistema de frío	Termoeléctrico
Rango de temperatura	10-18°C

	Date	Name
Design:	03/12/2018	Diego
Checked:		Diego
Modified:		Diego
Scale: 1:10	Part name: CV016	
Unit:	Top assembly: CV018M	

**cavano**

THE INFORMATION CONTAINED IN THIS DRAWING IS THE SOLE PROPERTY OF CAVANOVA WINE S.L. IN MÁLAGA, SPAIN. ANY REPRODUCTION IN PART OR AS A WHOLE WITHOUT THE WRITTEN PERMISSION OF CAVANOVA WINE S.L. IS PROHIBITED.

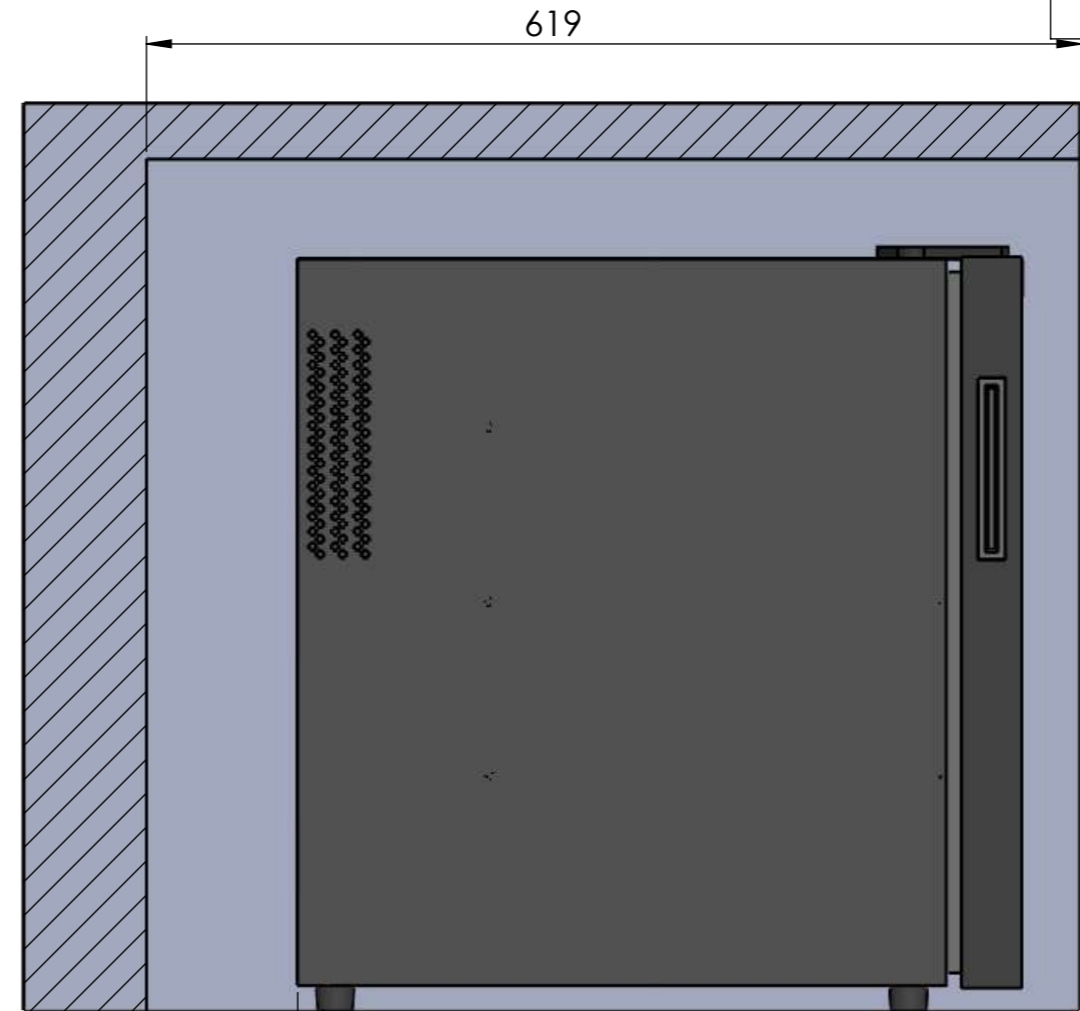
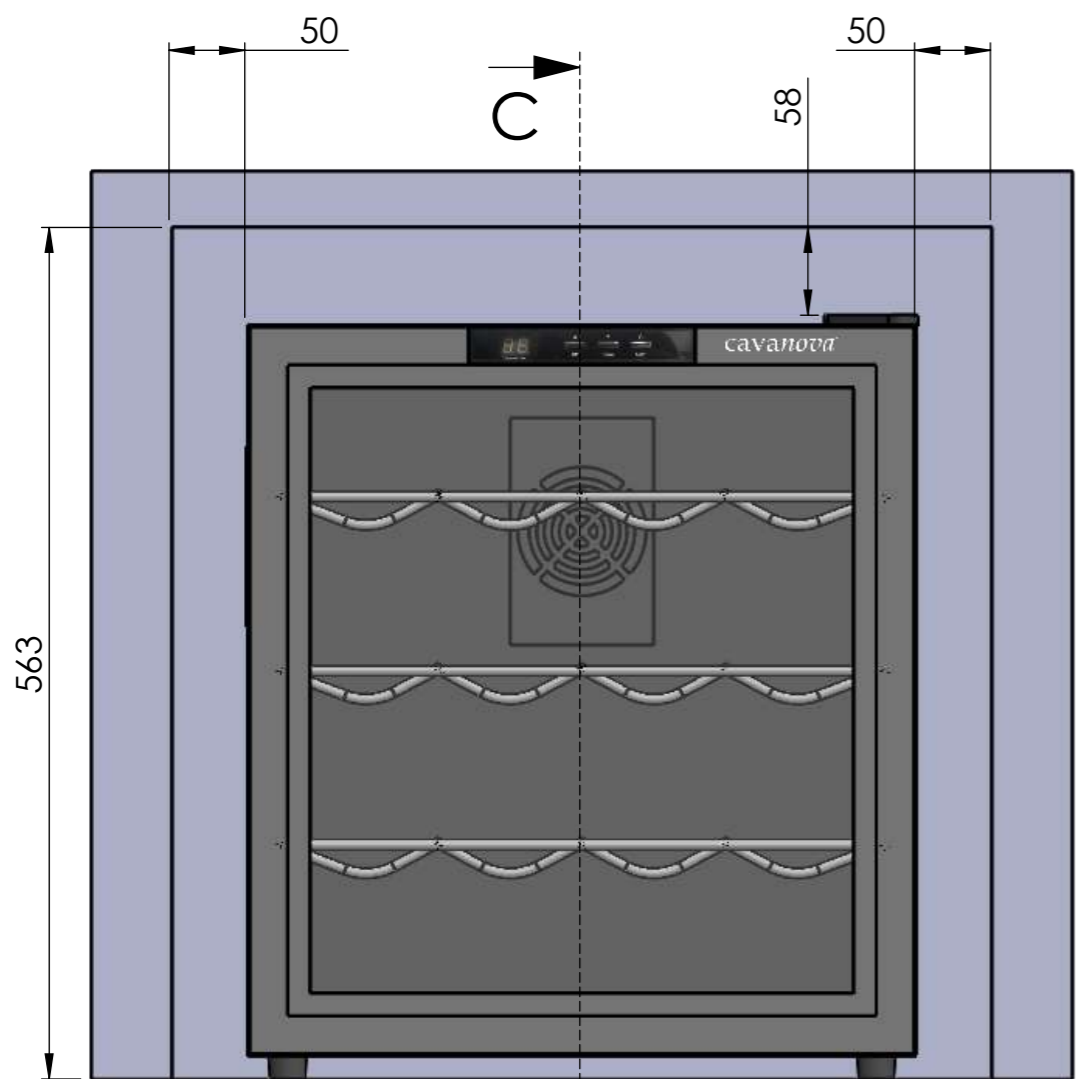
Sign:



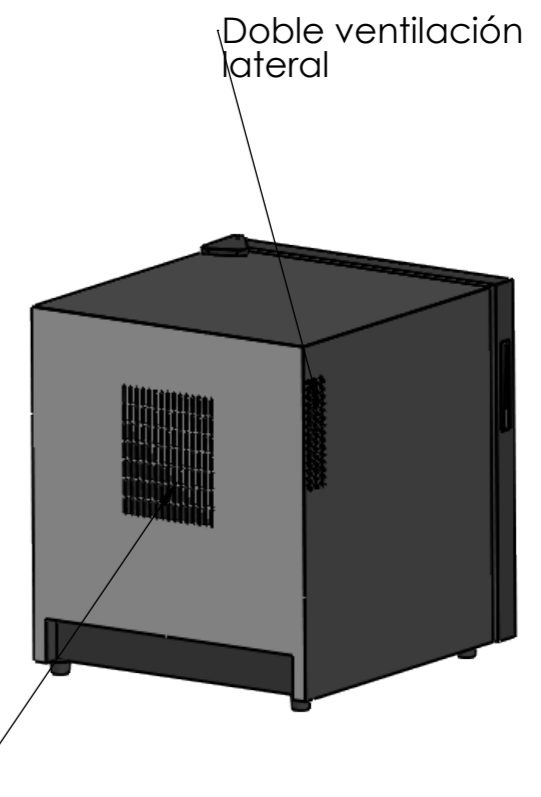
Description:  
Apertura de puerta

Client:
Material:
Reference: CV016
Count:
Pages: 3 OF 4

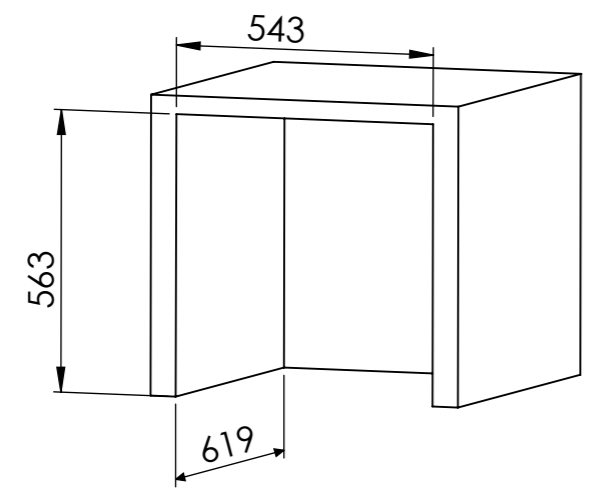
MEDIDAS RECOMENDADAS	
ALTURA	563mm mín
PROFUNDIDAD	100mm mín (libre atrás)
ANCHURA	50mm por cada lado



SECCIÓN C-C  
ESCALA 1 : 5



NO OBSTRUIR VENTILACIÓN



Medidas para hueco

Sign:

Date	Name	cavanova	
Design: 09/10/2018	Diego	<small>THE INFORMATION CONTAINED IN THIS DRAWING IS THE SOLE PROPERTY OF CAVANOVA WINE S.L. IN MÁLAGA, SPAIN. ANY REPRODUCTION IN PART OR AS A WHOLE WITHOUT THE WRITTEN PERMISSION OF CAVANOVA WINE S.L. IS PROHIBITED.</small>	
Checked:	Diego		
Modified:	Diego		
Scale: 1:10	Part name: CV016-ENTORNO	Top assembly: CV018M	Client: Cavanova
Unit: mm	Description: Empotramiento del equipo (built-in)		Material: Varios
			Reference: CV016-ENTORNO
			Count:
			Pages: 4 OF 4