
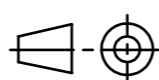
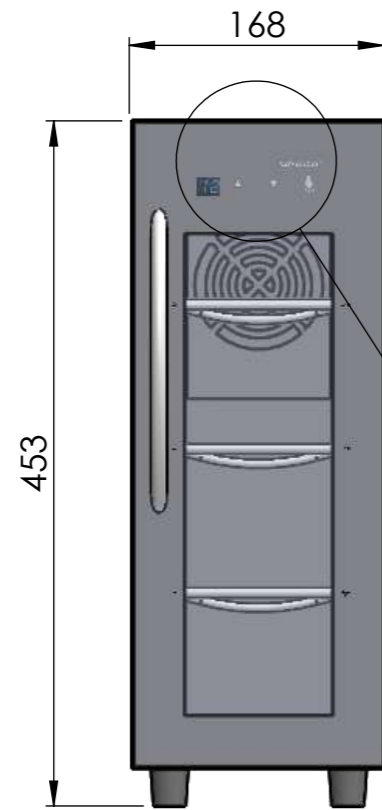
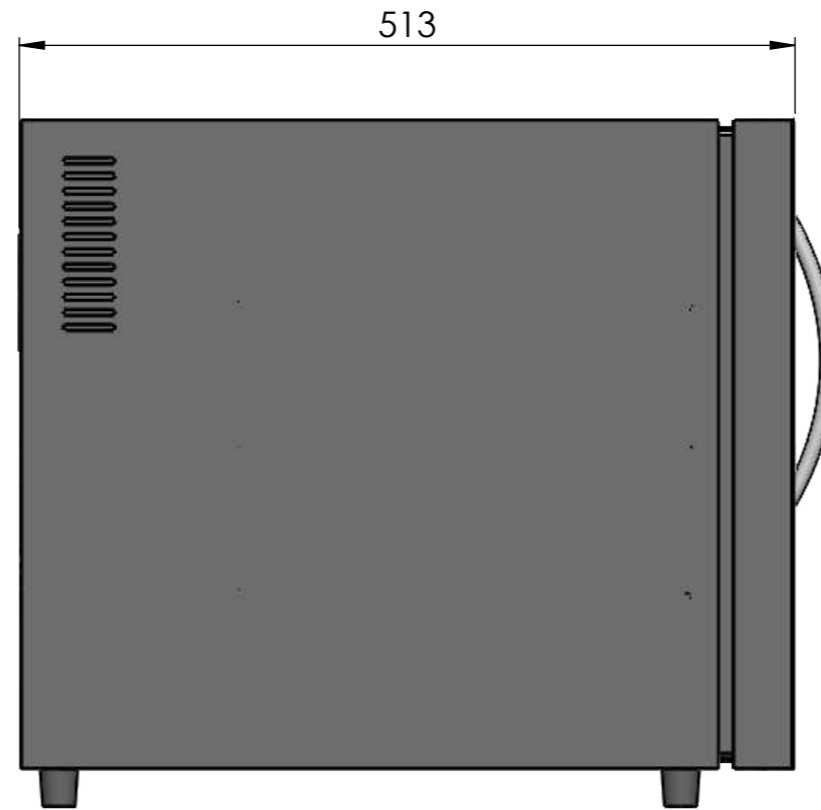


# CV004

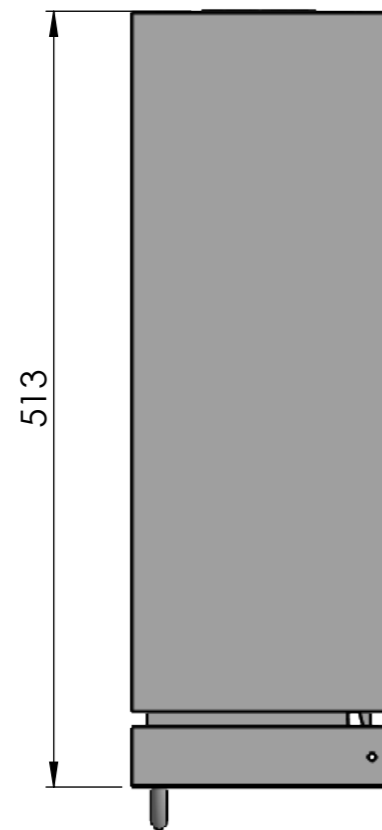
	Date	Name	 <small>THE INFORMATION CONTAINED IN THIS DRAWING IS THE SOLE PROPERTY OF CAVANOVA. ANY REPRODUCTION IN PART OR AS A WHOLE WITHOUT THE WRITTEN PERMISSION OF CAVANOVA IS PROHIBITED.</small>
Design:	03/12/2018	Diego	
Checked:		Diego	
Modified:		Diego	
Scale: 1:10	Part name: CV004	Top assembly: CV004	Client:
Notes:    	Description: Vinoteca para 4 botellas		Material:
			Reference: CV004
			Count:
			Pages: 1 OF 4



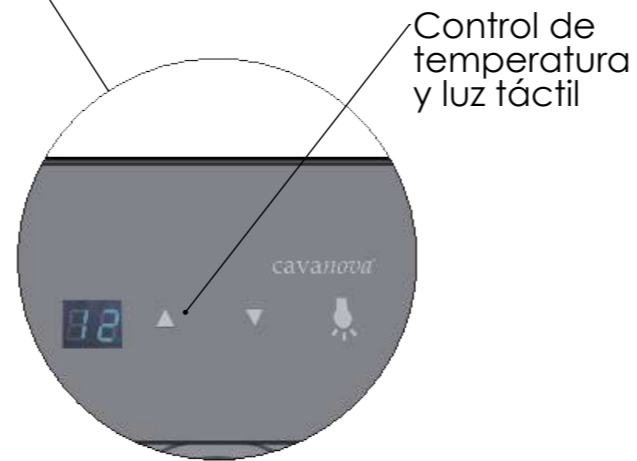
Alzado



Perfil



Planta



DATOS TÉCNICOS	
VOLUMEN	12L
Rango de temperatura	7-18°C
Botellas	4
Frecuencia	50-60Hz
Consumo	0.35(15°C)
Voltaje	220/240-110/115 V
Ruido	38db
Humedad interior	>70%RH
Sistema de frío	Termoeléctrico

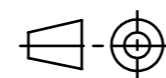
	Date	Name
Design:	03/12/2018	Diego
Checked:		Diego
Modified:		Diego

**cavanoa**

THE INFORMATION CONTAINED IN THIS DRAWING IS THE SOLE PROPERTY OF CAVANOVA WINE S.L. IN MÁLAGA, SPAIN. ANY REPRODUCTION IN PART OR AS A WHOLE WITHOUT THE WRITTEN PERMISSION OF CAVANOVA WINE S.L. IS PROHIBITED.

Sign:

Scale: 1:10  
Unit:



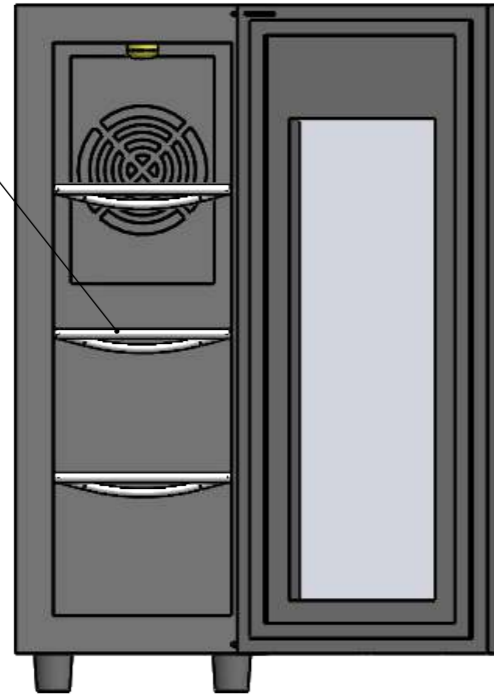
Part name: CV004

Top assembly: CV004

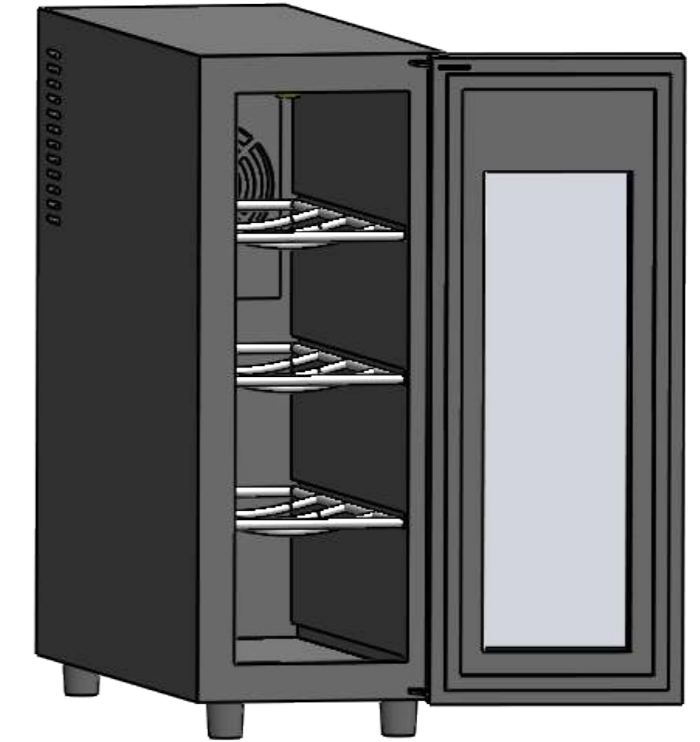
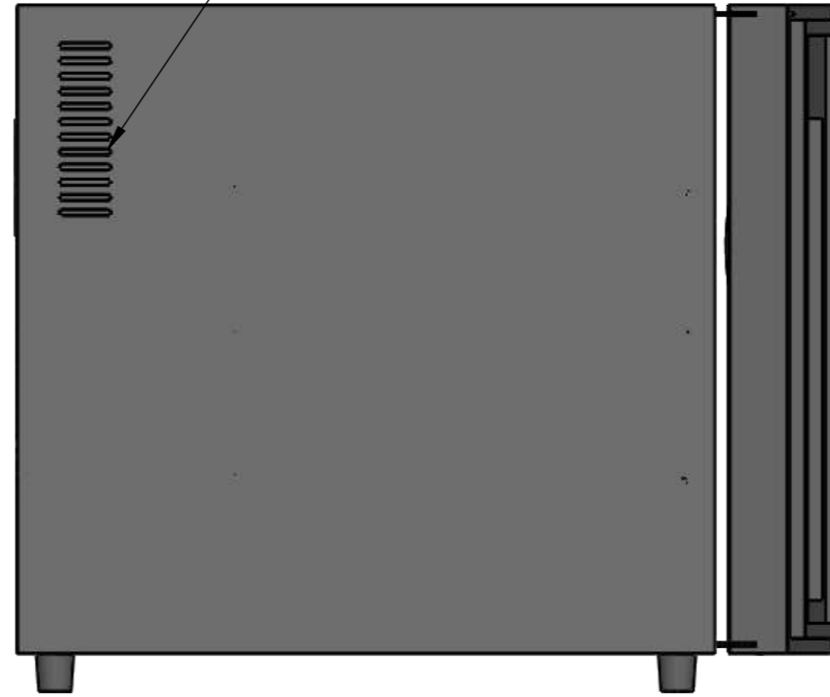
Description: Vinoteca para 4 botellas

Client:  
Material:  
Reference: CV004  
Count:  
Pages: 2 OF 4

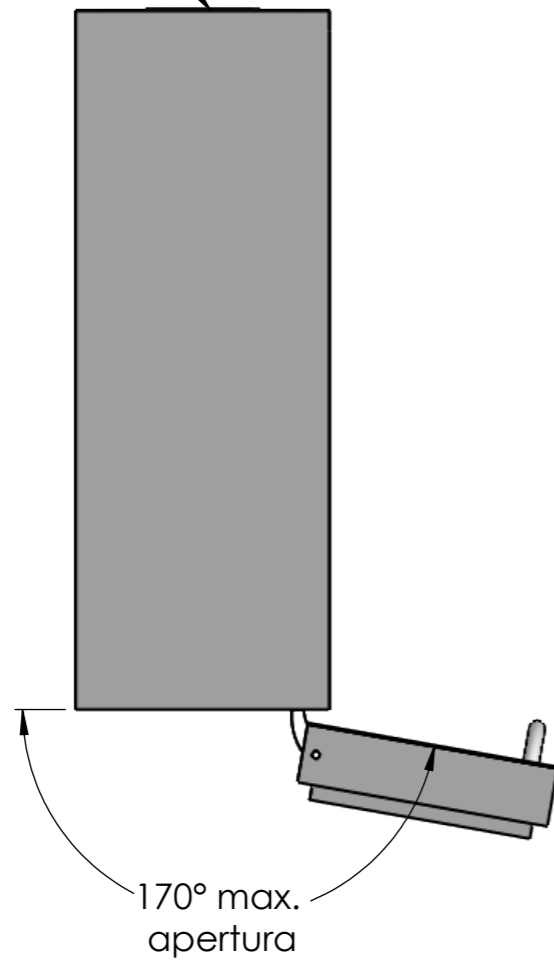
3 Baldas cromadas



ventilación del equipo



ventilación del equipo

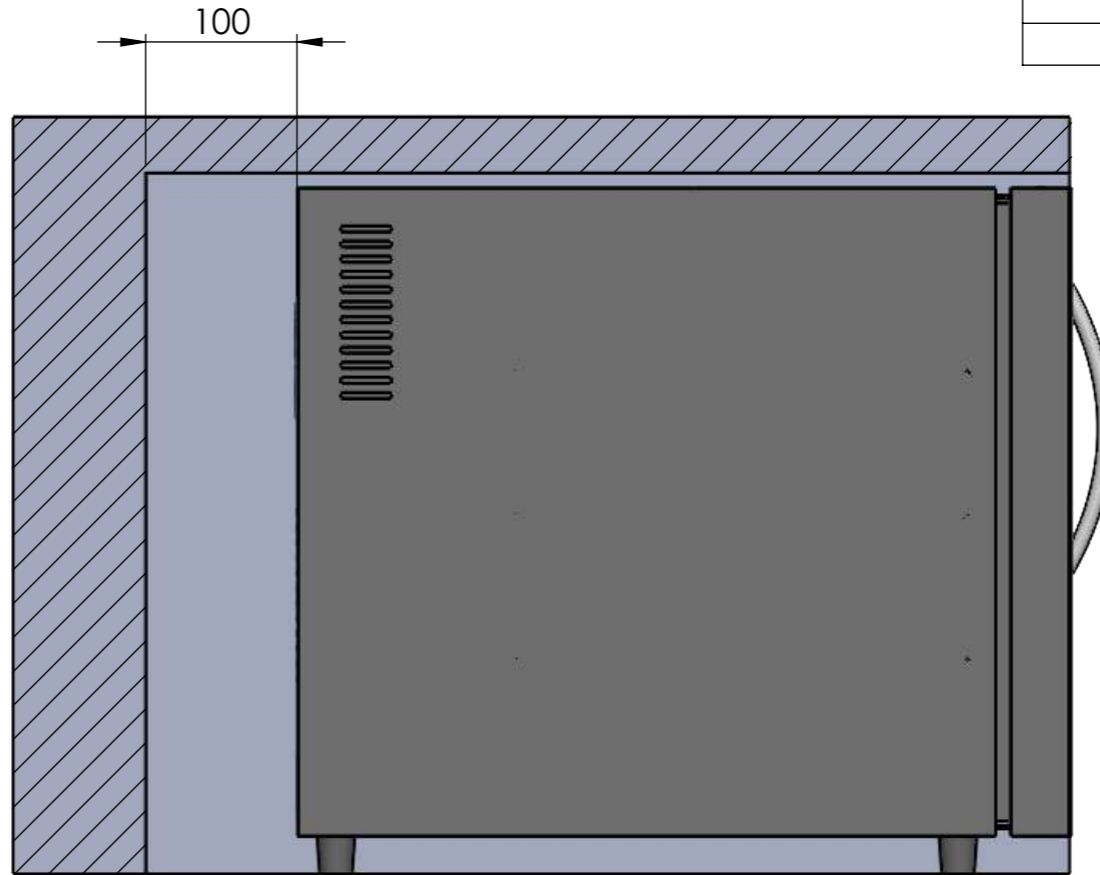
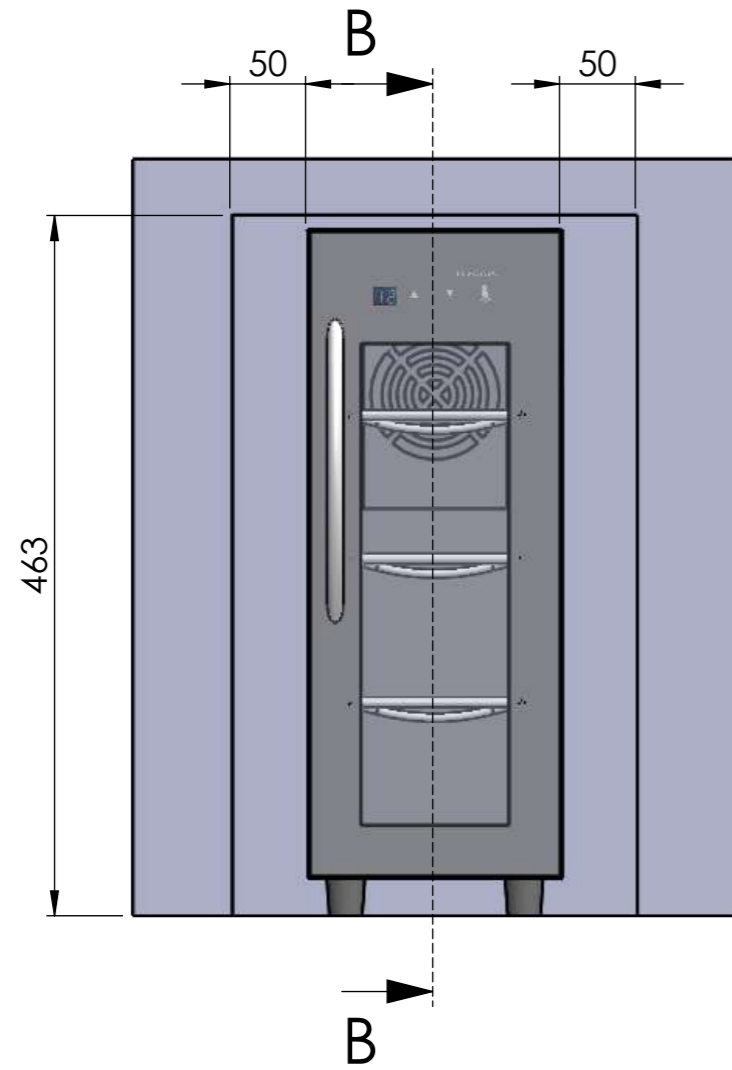


DATOS TÉCNICOS	
VOLUMEN	12L
Rango de temperatura	7-18°C
Botellas	4
Frecuencia	50-60Hz
Consumo	0.35(15°C)
Voltaje	220/240-110/115 V
Ruido	38db
Humedad interior	>70%RH
Sistema de frío	Termoeléctrico

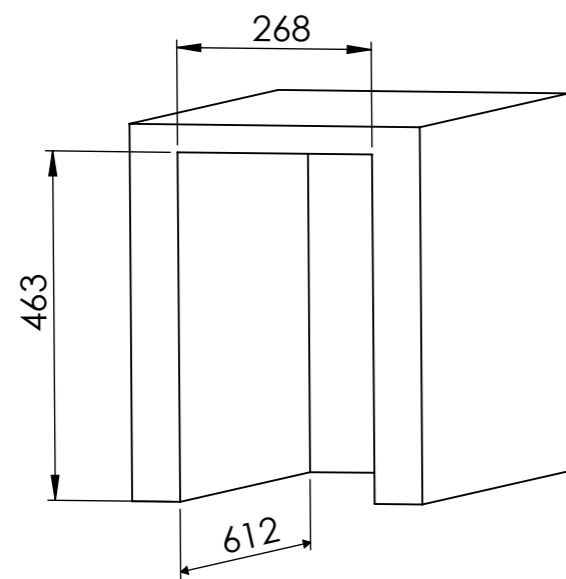
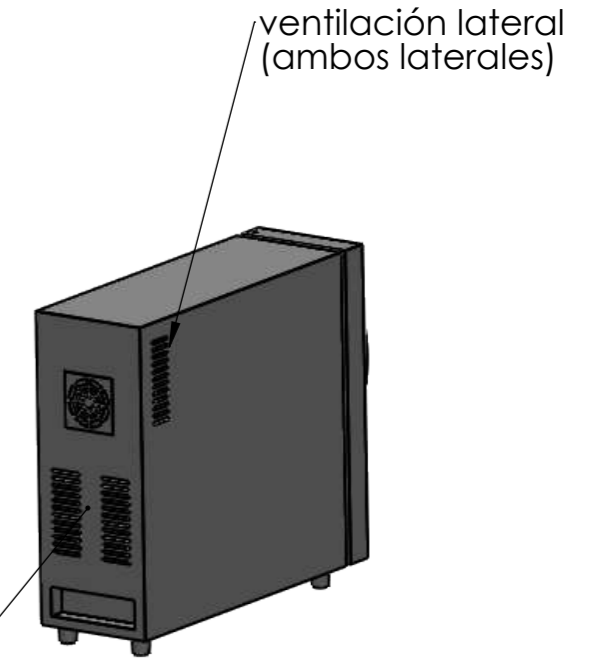
Date	Name	cavanoval	
Design:	03/12/2018	Diego	THE INFORMATION CONTAINED IN THIS DRAWING IS THE SOLE PROPERTY OF CAVANOVA WINE S.L. IN MÁLAGA, SPAIN. ANY REPRODUCTION IN PART OR AS A WHOLE WITHOUT THE WRITTEN PERMISSION OF CAVANOVA WINE S.L. IS PROHIBITED.
Checked:		Diego	
Modified:		Diego	
Scale: 1:10	Part name: CV004	Top assembly: CV004	Client:
Unit:			Material:
	Description:	Vinoteca para 4 botellas	Reference: CV004
			Count:
			Pages: 3 OF 4

Sign:

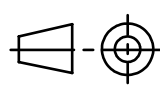
MEDIDAS RECOMENDADAS	
Altura	463mm min
Anchura	50mm por cada lado
Profundidad	100mm separación



SECCIÓN B-B  
ESCALA 1 : 5



Medidas para hueco

Sign: 

Date	Name	cavanova	
Design: 09/10/2018	Diego	<small>THE INFORMATION CONTAINED IN THIS DRAWING IS THE SOLE PROPERTY OF CAVANOVA WINE S.L. IN MÁLAGA, SPAIN. ANY REPRODUCTION IN PART OR AS A WHOLE WITHOUT THE WRITTEN PERMISSION OF CAVANOVA WINE S.L. IS PROHIBITED.</small>	
Checked:	Diego		
Modified:	Diego		
Scale: 1:10	Part name: CV004-ENTORNO	Top assembly: CV004	Client: Cavanova
Unit: mm			Material: Varios
Description: Empotramiento del equipo (built-in)			Reference: CV004-ENTORNO
			Count:
			Pages: 4 OF 4