
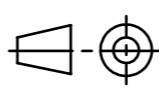
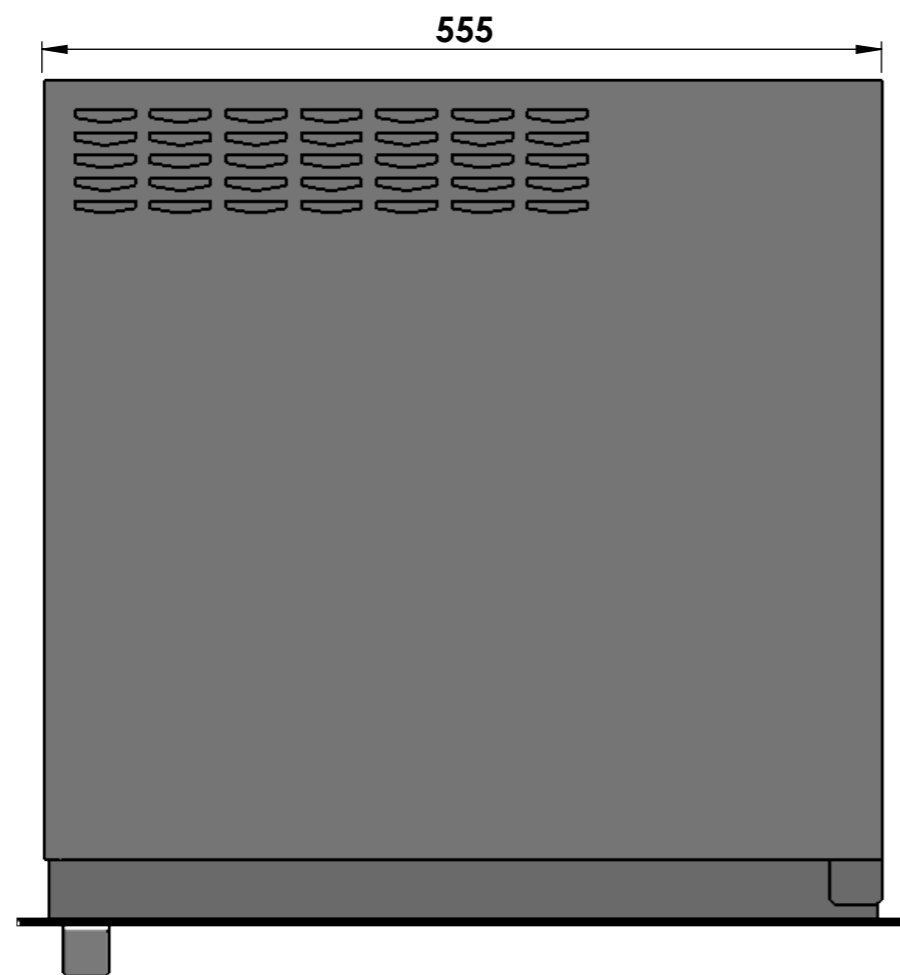
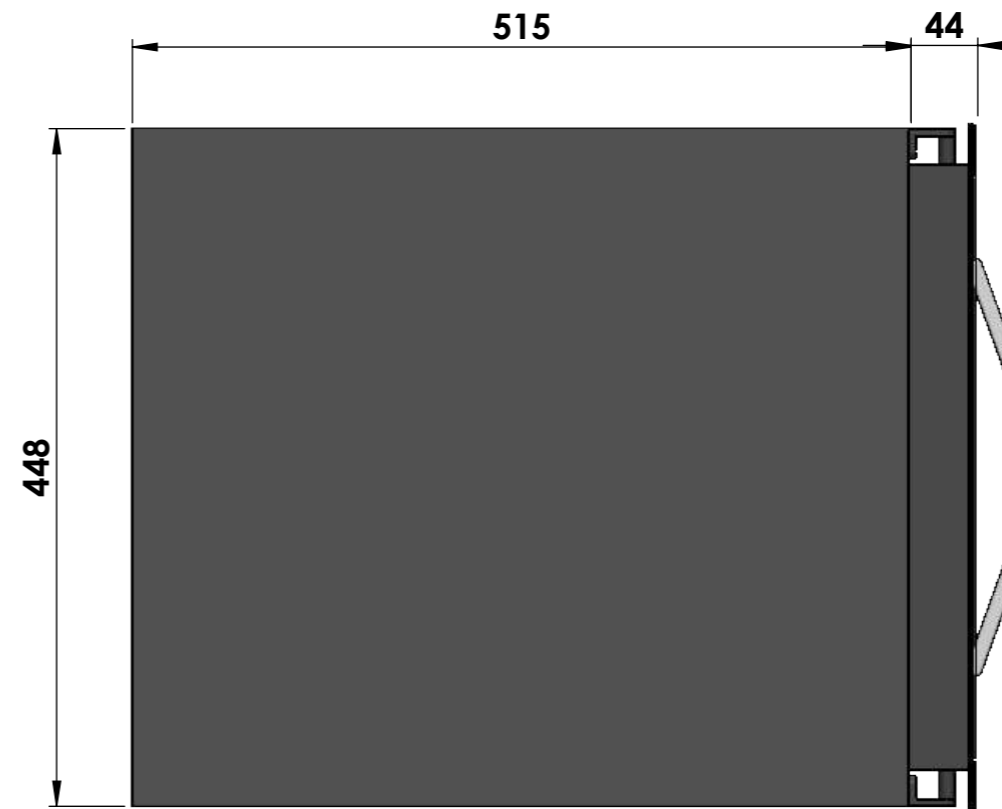
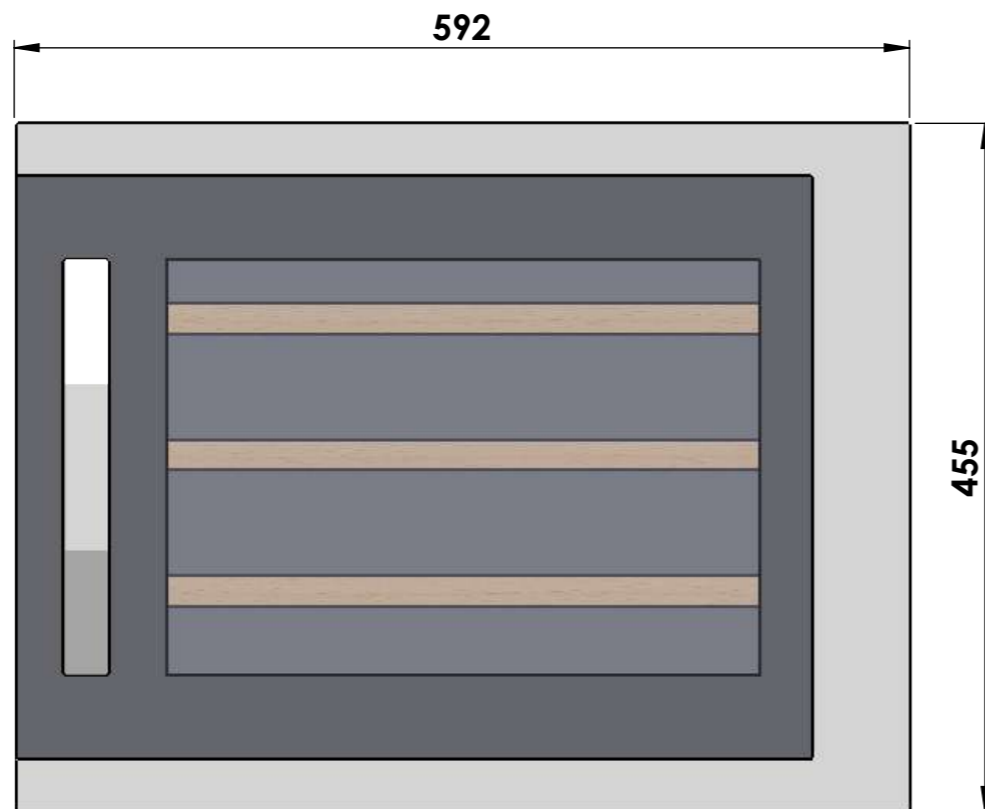



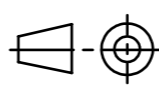


Sign:

	Date	Name	 <small>THE INFORMATION CONTAINED IN THIS DRAWING IS THE SOLE PROPERTY OF CAVANOVA WINE S.L. IN MÁLAGA, SPAIN. ANY REPRODUCTION IN PART OR AS A WHOLE WITHOUT THE WRITTEN PERMISSION OF CAVANOVA WINE S.L. IS PROHIBITED.</small>
Design:	05/11/2018		
Checked:			
Modified:			
Scale: 1:10	Part name:	Top assembly:	Client:
Unit:	CV024KT	CV024KT	Material: Acero pintado
	Description:		Reference: cv024KT
	Vinoteca para 24 botellas		Count:
			Pages: 1 OF 4



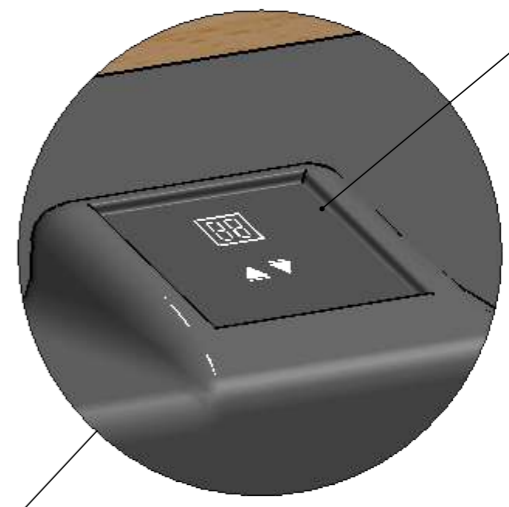
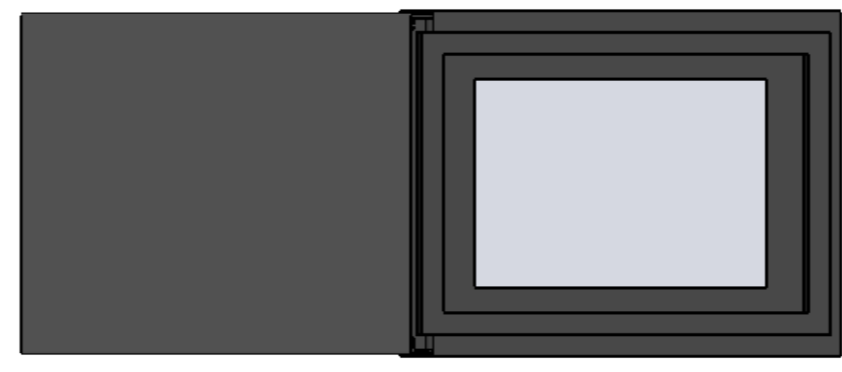
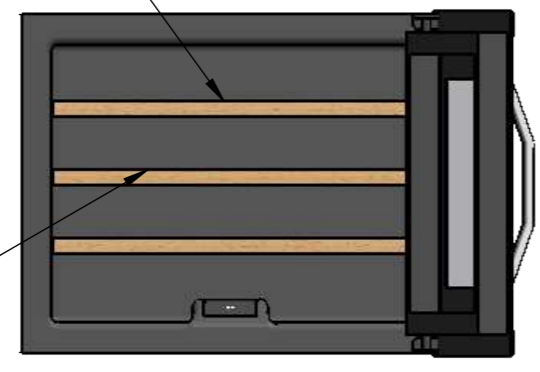
Volumen	60L
Frecuencia	50Hz
Consumo	1.2Kw/d
Voltaje	220/240 V
Ruido	39 db
Refrigerante	R600a
Humedad interior	>70%RH
Sistema de frío	Compresor
Peso	19.5kg

	Date	Name	 <small>THE INFORMATION CONTAINED IN THIS DRAWING IS THE SOLE PROPERTY OF CAVANOVA WINE S.L. IN MÁLAGA, SPAIN. ANY REPRODUCTION IN PART OR AS A WHOLE WITHOUT THE WRITTEN PERMISSION OF CAVANOVA WINE S.L. IS PROHIBITED.</small>
Design:	05/11/2018		
Checked:			
Modified:			
Scale: 1:10	Part name:	Top assembly:	Client:
Unit:	CV024KT	CV024KT	Material: Acero pintado
	Description:		Reference: cv024KT
	Vinoteca para 24 botellas		Count:
			Pages: 2 OF 4

Sign:

24 Botellas de 750ml

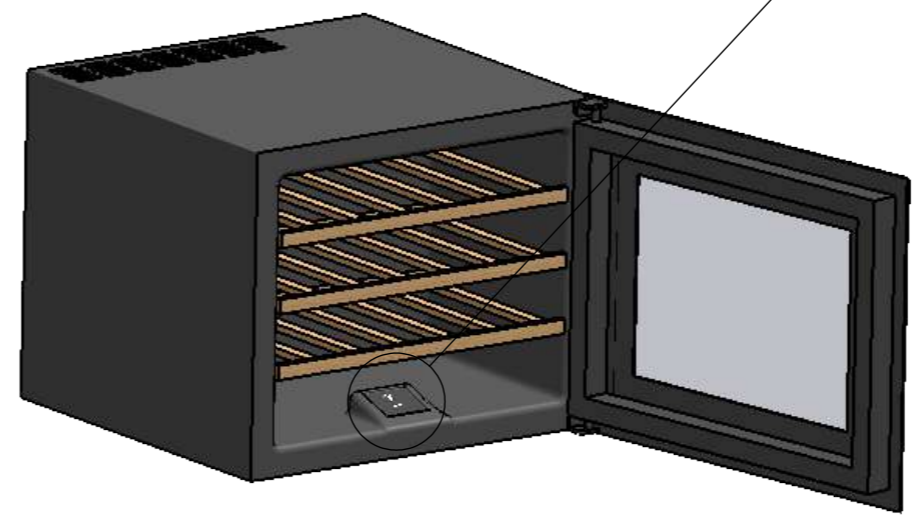
3 baldas de madera



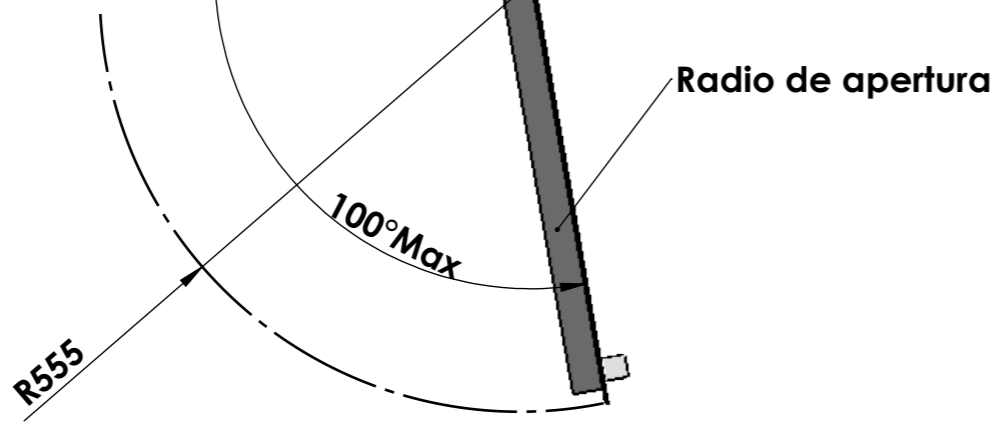
Display



Ventilación superior




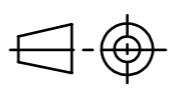
Trasero del equipo (Condensador y compresor)



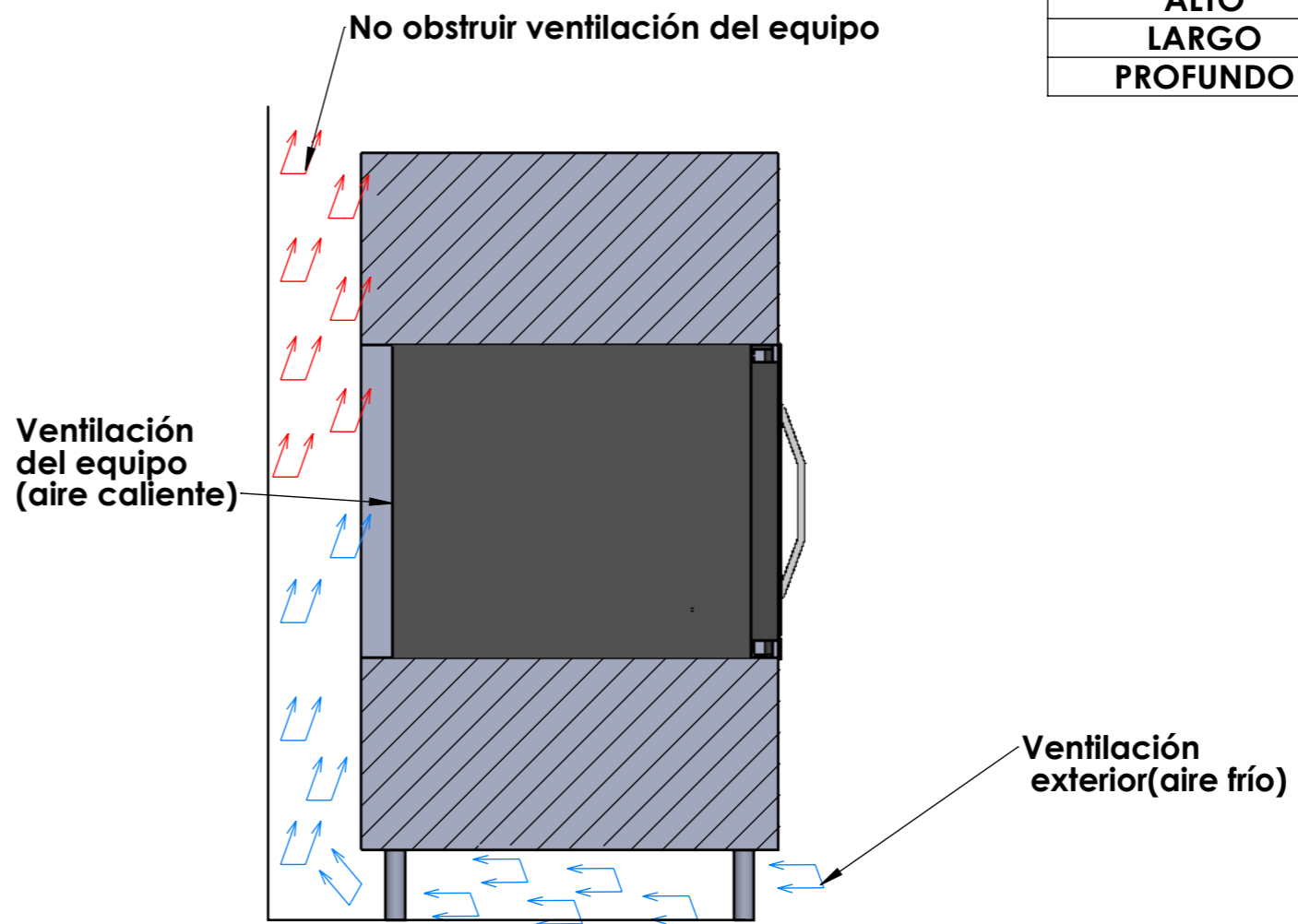
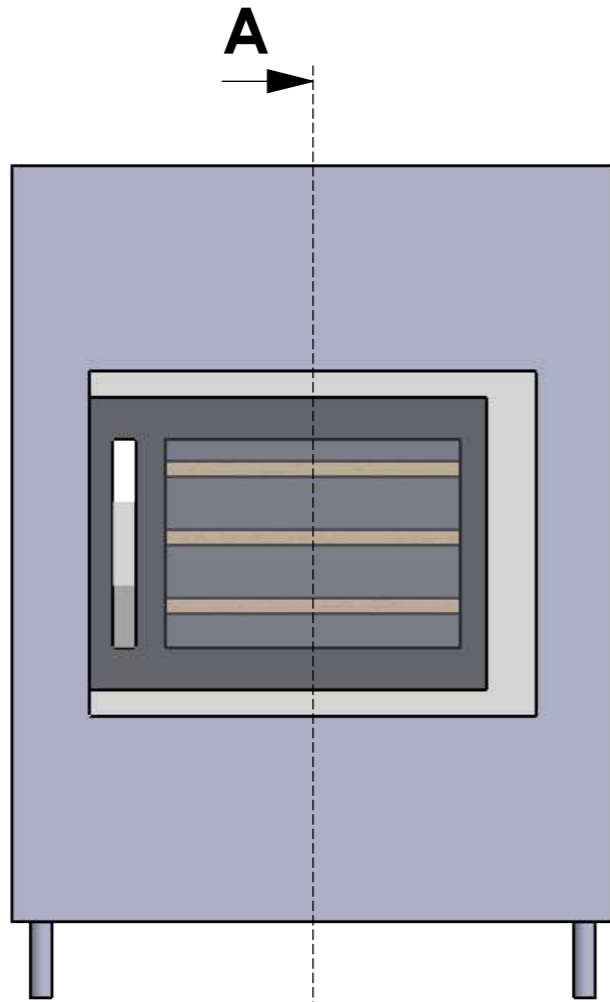
Radio de apertura

100°Max

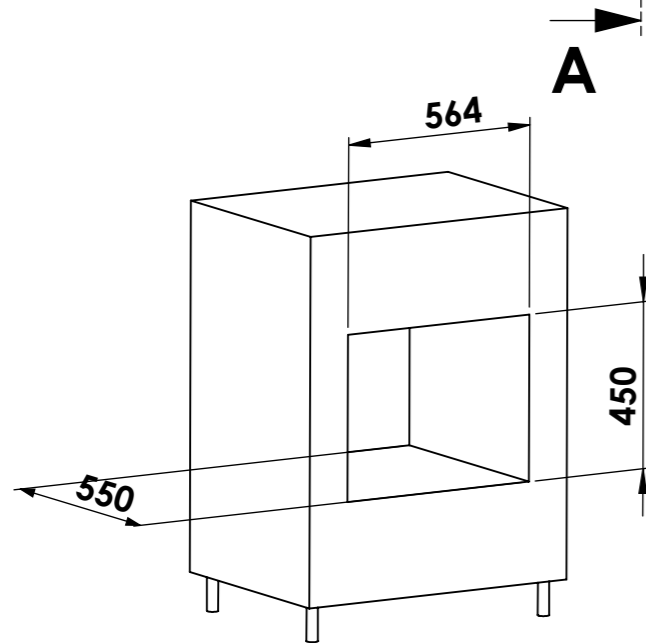
R555

	Date	Name	 <small>THE INFORMATION CONTAINED IN THIS DRAWING IS THE SOLE PROPERTY OF CAVANOVA WINE S.L. IN MÁLAGA, SPAIN. ANY REPRODUCTION IN PART OR AS A WHOLE WITHOUT THE WRITTEN PERMISSION OF CAVANOVA WINE S.L. IS PROHIBITED.</small>
Design:	05/11/2018	Diego	
Checked:		Diego	
Modified:		Diego	
Sign:	Scale: 1:10	Part name: CV024KT	Top assembly: CV024KT
	Unit:		
	Description: Sistema de apertura		Client:
			Material: Acero pintado
			Reference: cv024KT
			Count:
			Pages: 3 OF 4


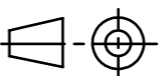
MEDIDAS HUECO RECOMENDADAS	
ALTO	450mm
LARGO	564mm
PROFUNDO	550mm



SECCIÓN A-A
ESCALA 1 : 10



Dimensiones de hueco recomendado

Date	Name	 <small>THE INFORMATION CONTAINED IN THIS DRAWING IS THE SOLE PROPERTY OF CAVANOVA WINE S.L. IN MÁLAGA, SPAIN. ANY REPRODUCTION IN PART OR AS A WHOLE WITHOUT THE WRITTEN PERMISSION OF CAVANOVA WINE S.L. IS PROHIBITED.</small>		
Design: 05/11/2018	Diego			
Checked:	Diego	Part name: CV024KT-ENTORNO	Top assembly: CV024KT	Client: Cavanova
Modified:	Diego			Material: Varios
Scale: 1:20		Description: Empotramiento del equipo (built-in)	Reference: CV024KT-ENTORNO	Count:
Unit: mm				Pages: 4 OF 4

Sign: