
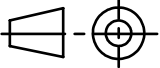
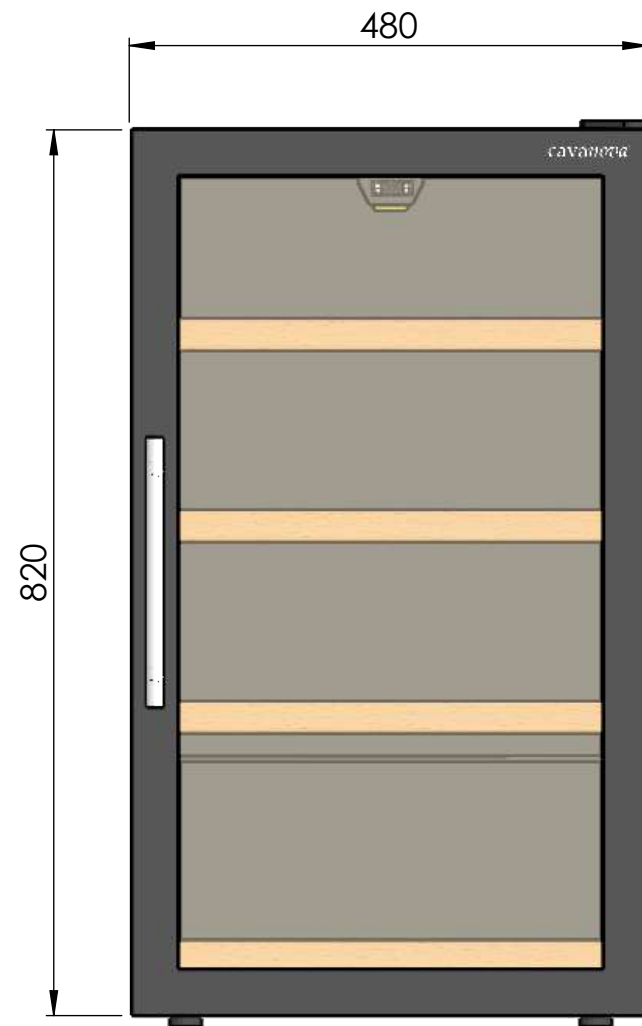
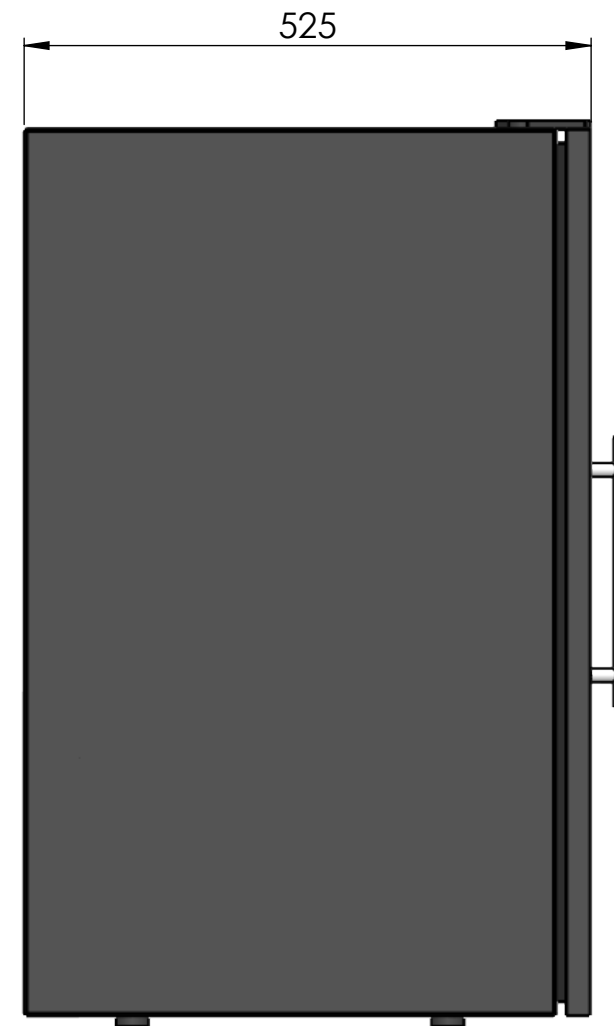


CV030T

	Date	Name	 <small>THE INFORMATION CONTAINED IN THIS DRAWING IS THE SOLE PROPERTY OF CAVANOVA. ANY REPRODUCTION IN PART OR AS A WHOLE WITHOUT THE WRITTEN PERMISSION OF CAVANOVA IS PROHIBITED.</small>	
Design:	10/12/2018	Diego		
Checked:		Diego		
Modified:		Diego		
Notes:	Scale: 1:20	Part name: CV030T	Top assembly: CV030T	Client: Cavanaugh
		Description: Capacidad para 30 botellas		Material: Acero pintado
				Reference: CV030T
				Count: 1
				Pages: 1 OF 4



ALZADO



PERFIL



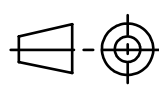
DATOS TÉCNICOS	
Volumen	115L
Peso	31kg
Botellas	30
Rango de temperatura	4-18°C
Frecuencia	50hz
Consumo	0.44(15°C)
Voltaje	220/240V
Ruido	43db
Refrigerante	R600a
Humedad interior	>70%RH
Refrigerante	R600a
Sistema de frío	Compresor

	Date	Name
Design:	10/12/2018	Diego
Checked:		Diego
Modified:		Diego

cavanova

THE INFORMATION CONTAINED IN THIS DRAWING IS THE SOLE PROPERTY OF CAVANOVA WINE S.L. IN MÁLAGA, SPAIN. ANY REPRODUCTION IN PART OR AS A WHOLE WITHOUT THE WRITTEN PERMISSION OF CAVANOVA WINE S.L. IS PROHIBITED.

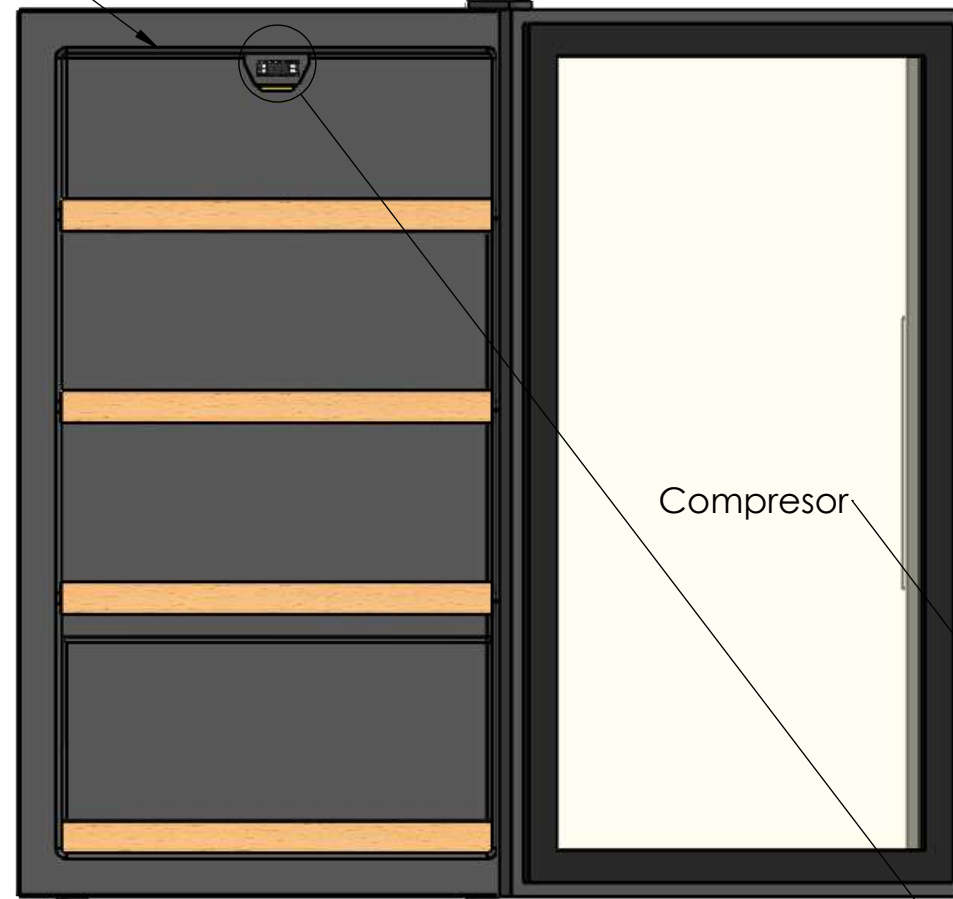
Sign: _____

Scale: 1:20	Part name: CV030T	Top assembly: CV030T
Unit: mm		
	Description: Capacidad para 30 botellas	

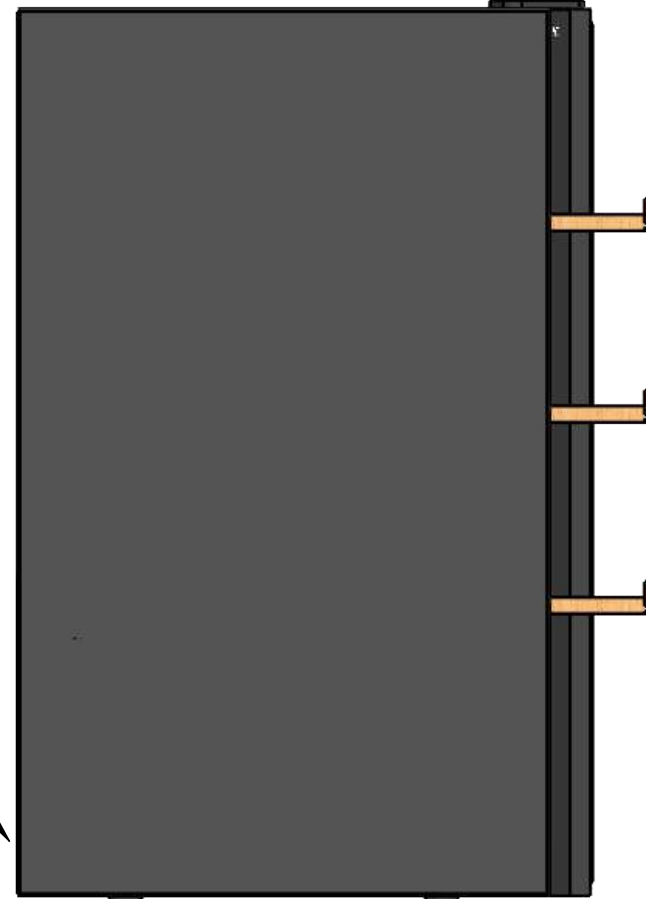
Client:	Cavanova
Material:	Acero pintado
Reference:	CV030T
Count:	
Pages:	2 OF 4

4 baldas de madera

Baldas extraíbles



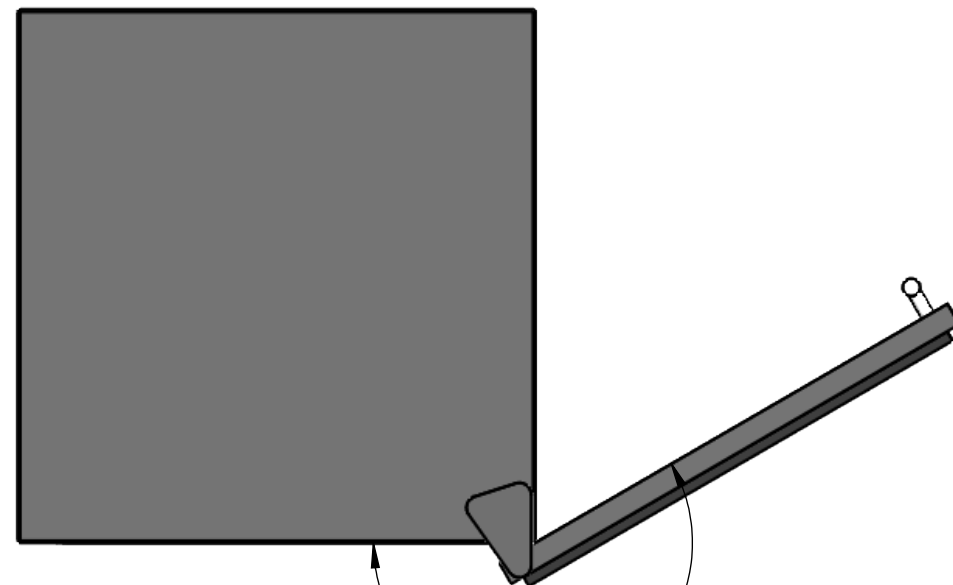
ALZADO



PERFIL

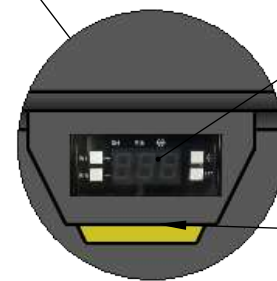


Compresor



PLANTA

210°max. apertura



Control de temperatura

Luz

DATOS TÉCNICOS	
Volumen	115L
Peso	31kg
Botellas	30
Rango de temperatura	4-18°C
Frecuencia	50hz
Consumo	0.44(15°C)
Voltaje	220/240V
Ruido	43db
Refrigerante	R600a
Humedad interior	>70%RH
Sistema de frío	Compresor

	Date	Name
Design:	10/12/2018	Diego
Checked:		Diego
Modified:		Diego

cavanoa

THE INFORMATION CONTAINED IN THIS DRAWING IS THE SOLE PROPERTY OF CAVANOVA WINE S.L. IN MÁLAGA, SPAIN. ANY REPRODUCTION IN PART OR AS A WHOLE WITHOUT THE WRITTEN PERMISSION OF CAVANOVA WINE S.L. IS PROHIBITED.

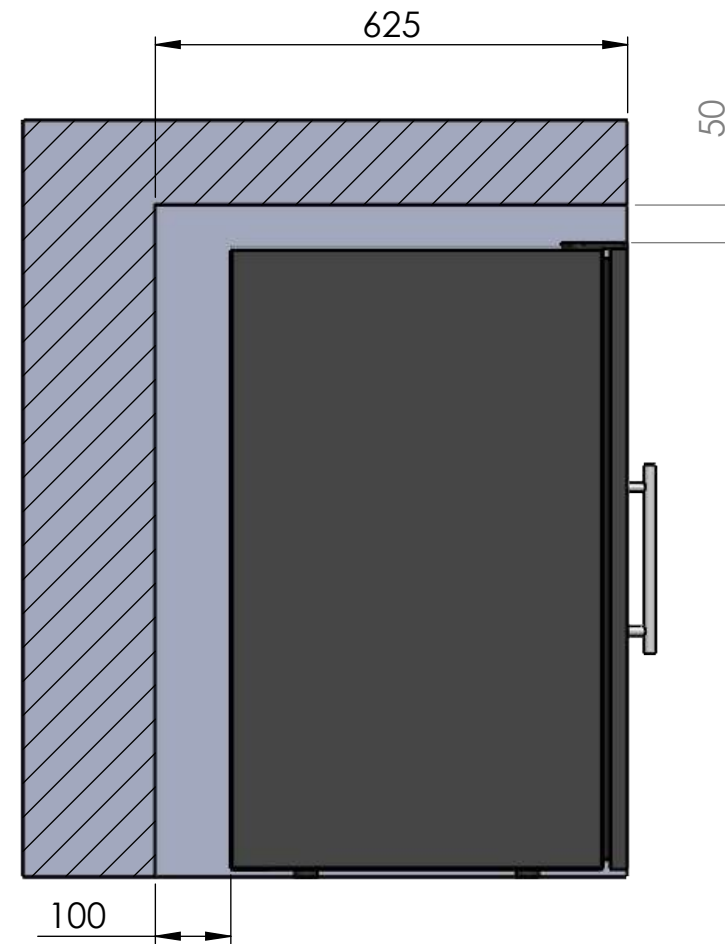
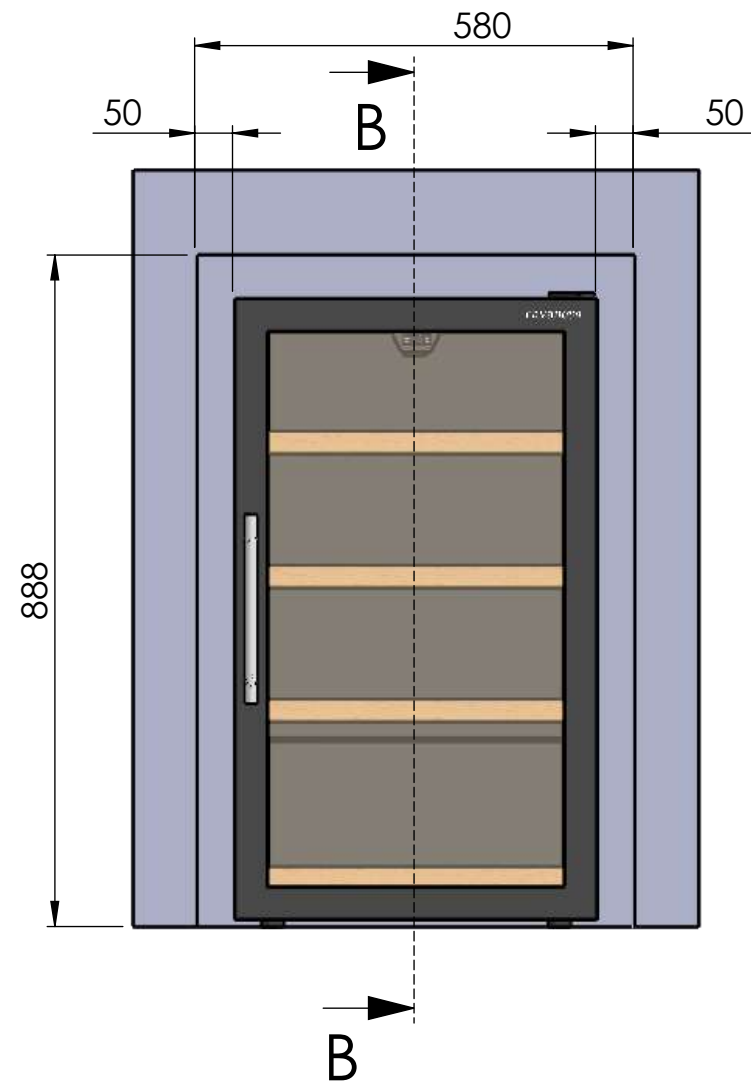
Sign:

Scale: 1:20
Unit: mm

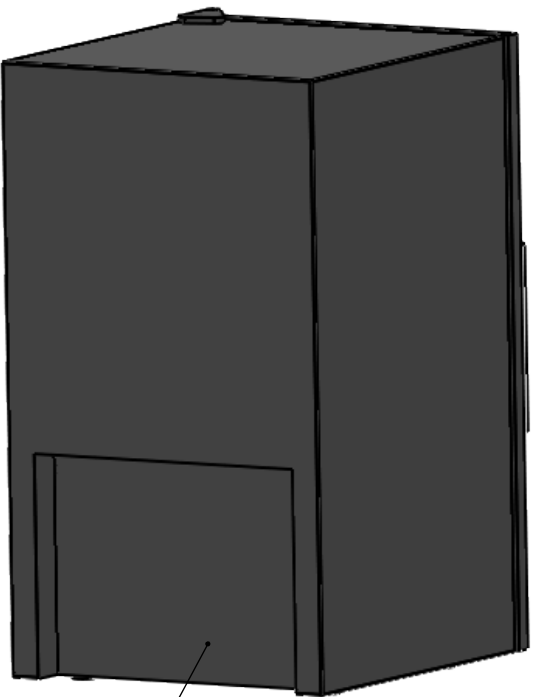
Part name: CV030T
Description: Capacidad para 30 botellas

Top assembly: CV030T

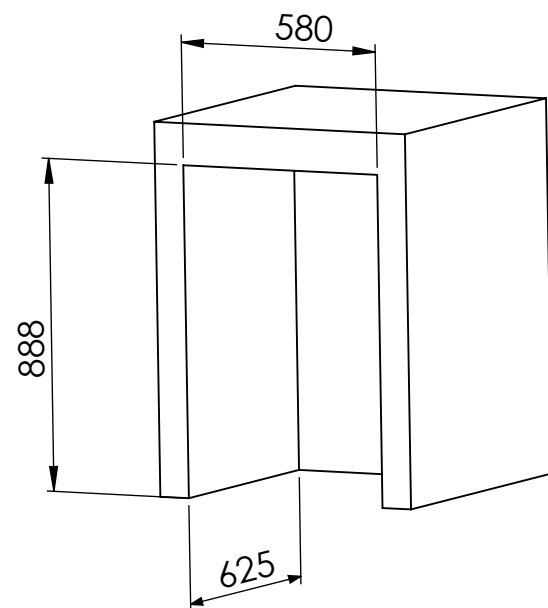
Client: Cavanoa
Material: Acero pintado
Reference: CV030T
Count:
Pages: 3 OF 4



SECCIÓN B-B



Compresor
(correcta ventilación)



Hueco para vinoteca

Medidas recomendadas	
Altura	888mm
Anchura	50mm por cada lado
Profundidad	100mm de espacio

Sign:

Date	Name	cavanova	
Design: 09/10/2018	Diego	<small>THE INFORMATION CONTAINED IN THIS DRAWING IS THE SOLE PROPERTY OF CAVANOVA WINE S.L. IN MÁLAGA, SPAIN. ANY REPRODUCTION IN PART OR AS A WHOLE WITHOUT THE WRITTEN PERMISSION OF CAVANOVA WINE S.L. IS PROHIBITED.</small>	
Checked:	Diego		
Modified:	Diego		
Scale: 1:20 Unit: mm	Part name: CV030T-ENTORNO	Top assembly: CV080T	Client: Cavanova
	Description: Ventilación del equipo		Material: Varios
			Reference: CV030T-ENTORNO
			Count:
			Pages: 4 OF 4