
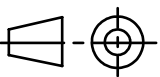
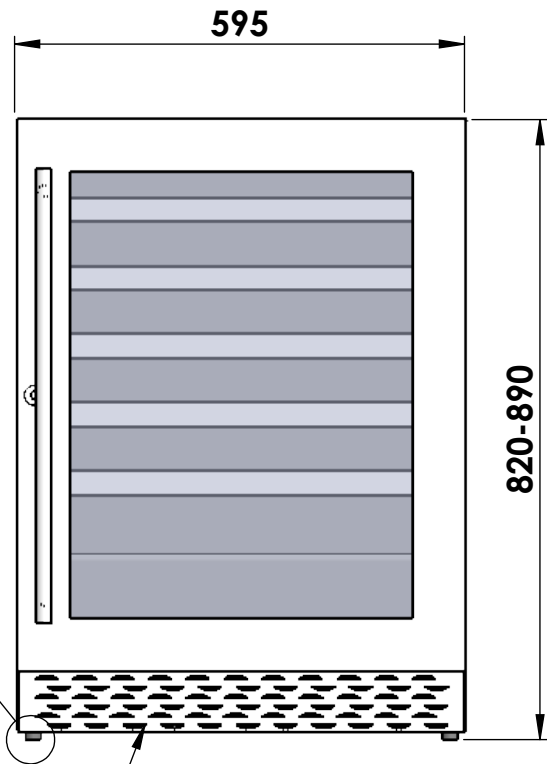
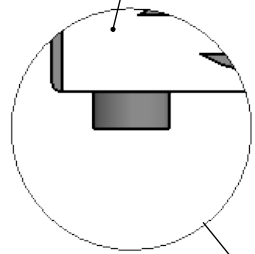


CV046T

	Date	Name	 <p>THE INFORMATION CONTAINED IN THIS DRAWING IS THE SOLE PROPERTY OF CAVANOVA WINE S.L. IN MÁLAGA, SPAIN. ANY REPRODUCTION IN PART OR AS A WHOLE WITHOUT THE WRITTEN PERMISSION OF CAVANOVA WINE S.L. IS PROHIBITED.</p>
Design:	09/10/2018	Diego	
Checked:		Diego	
Modified:		Diego	

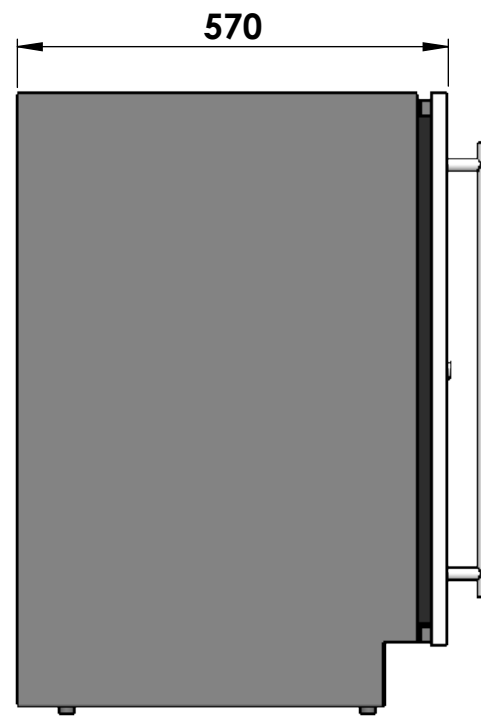
Sign:	Scale: 1:10	Part name: CV046T	Top assembly: CV046T	Client: Cavanova
	Unit: mm			Material: Acero inoxidable pintado
		Description: Vinoteca para 46 botellas		Reference: cv046t
				Count:

Patas regulables
820-890mm

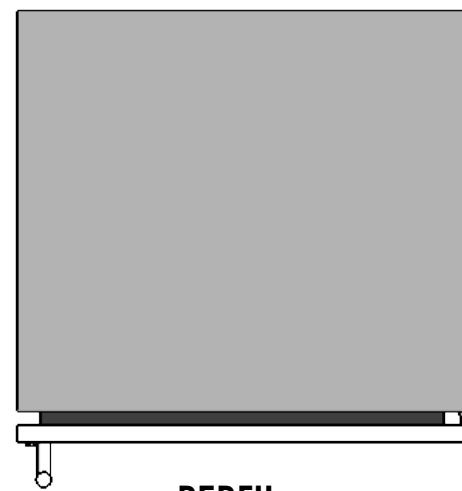
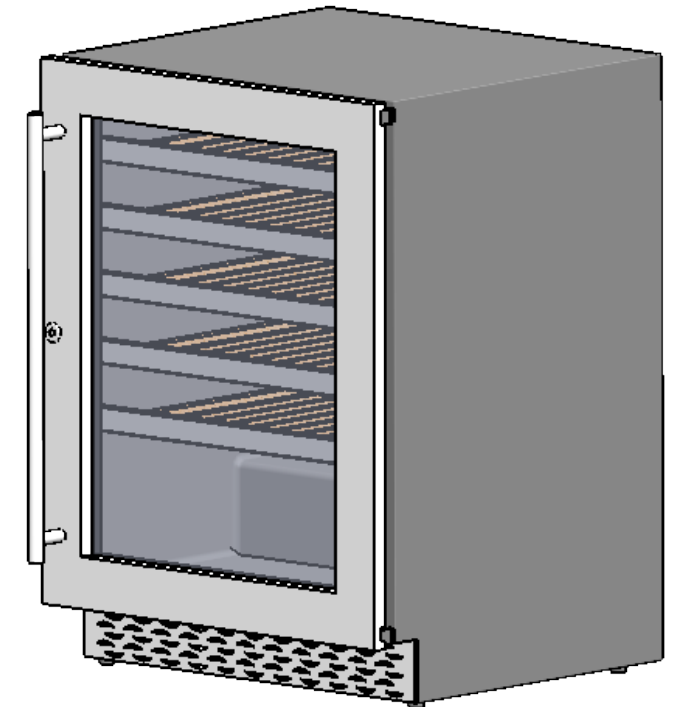


VENTILACIÓN DEL EQUIPO
(NO OBSTRUIR VENTILACIÓN)

ALZADO



PERFIL



PERFIL

CARACTERÍSTICAS

Volumen	130L
Capacidad	46 botellas.
Ranfo temperaturas	5-20°C
Frecuencia	50Hz
Consumo	1(12°C) kw/d
Voltaje	220/140V
Ruido	42Db
Refrigerante	R600a
Humedad interior	>70% RH
Sistema de frío	Compresor

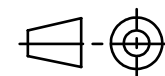
	Date	Name
Design:	09/10/2018	Diego
Checked:		Diego
Modified:		Diego

cavanova

THE INFORMATION CONTAINED IN THIS DRAWING IS THE SOLE PROPERTY OF CAVANOVA WINE S.L. IN MÁLAGA, SPAIN. ANY REPRODUCTION IN PART OR AS A WHOLE WITHOUT THE WRITTEN PERMISSION OF CAVANOVA WINE S.L. IS PROHIBITED.

Sign:

Scale: **1:10**
Unit: **mm**

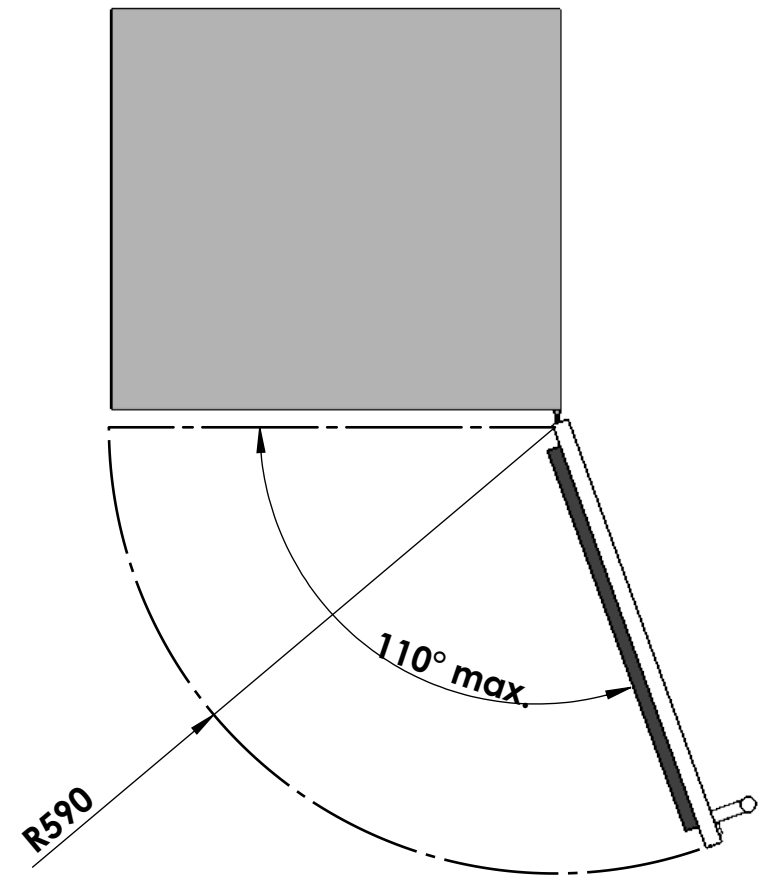
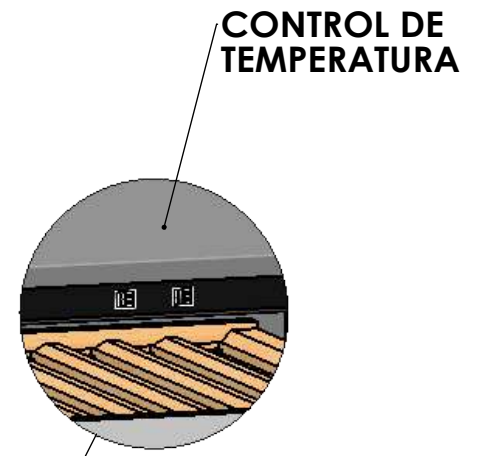
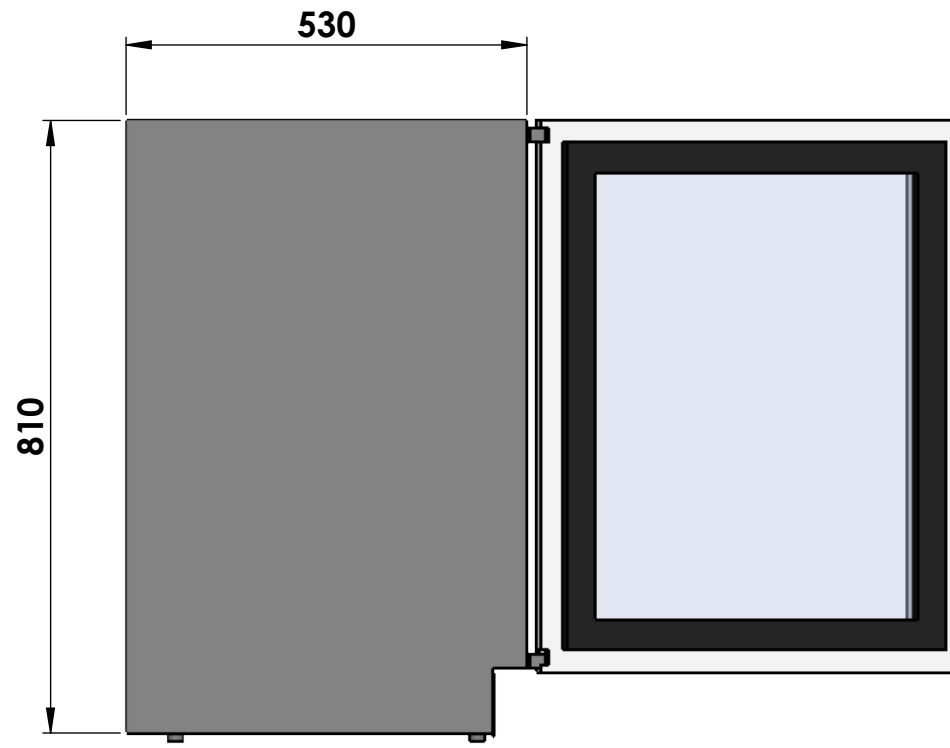
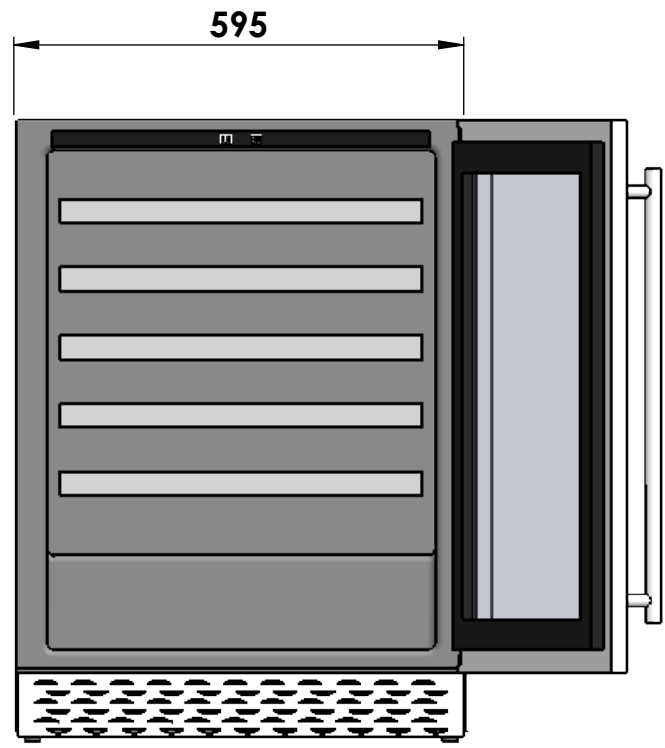


Part name:
CV046T

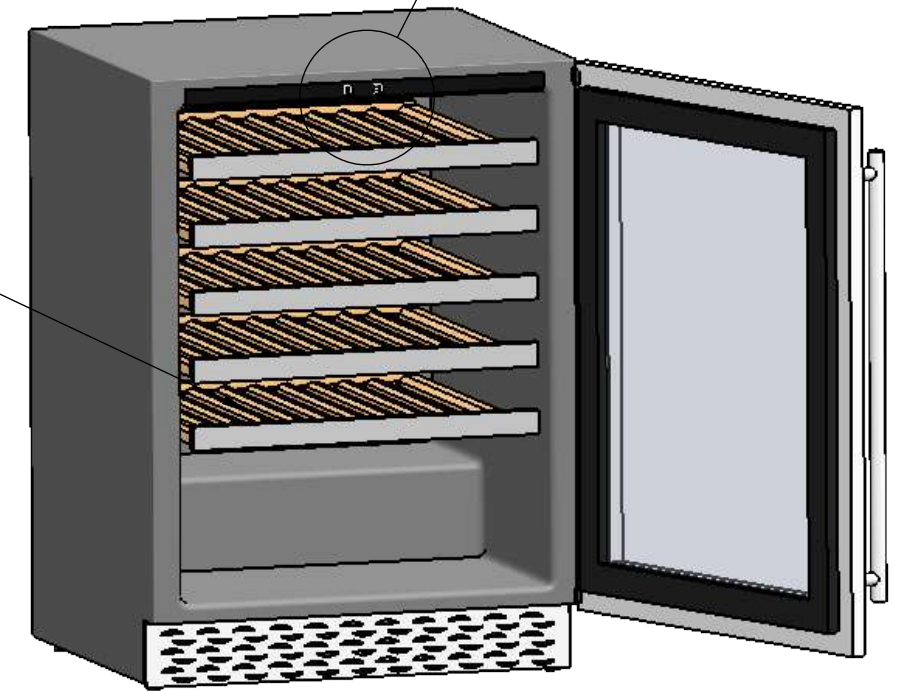
Top assembly:
CV046T

Description:
Vinoteca para 46 botellas

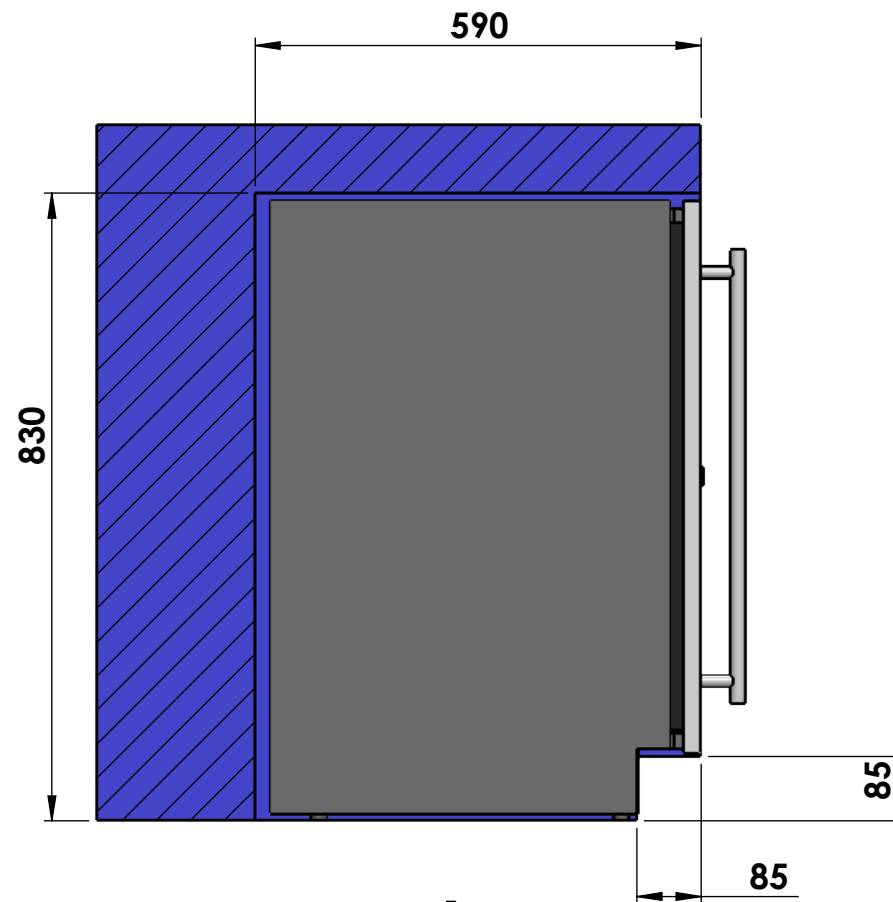
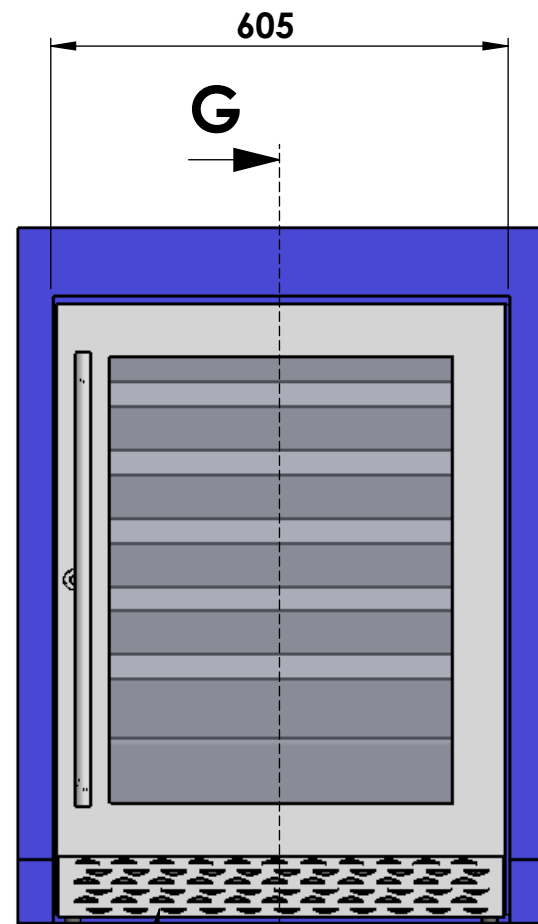
Client: **Cavanova**
Material: **Acero inoxidable pintado**
Reference: **cv046t**
Count:
Pages: **2 OF 4**



5 BALDAS DE MADERA
PARA 46 BOTELLAS



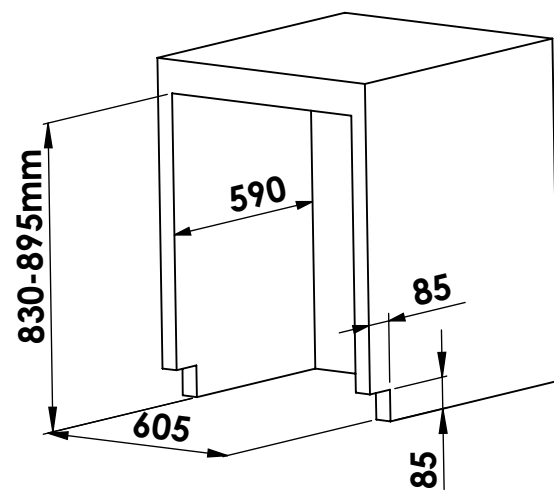
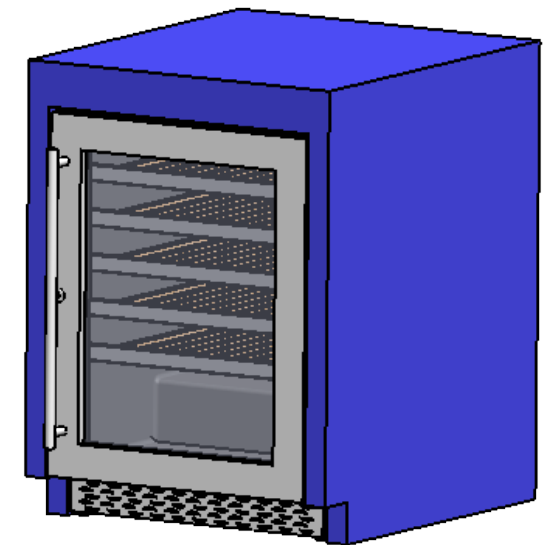
	Date	Name	 <small>THE INFORMATION CONTAINED IN THIS DRAWING IS THE SOLE PROPERTY OF CAVANOVA WINE S.L. IN MÁLAGA, SPAIN. ANY REPRODUCTION IN PART OR AS A WHOLE WITHOUT THE WRITTEN PERMISSION OF CAVANOVA WINE S.L. IS PROHIBITED.</small>	
Design:	09/10/2018	Diego		
Checked:		Diego		
Modified:		Diego		
Sign:	Scale: 1:10	Part name: CV046T	Top assembly: CV180T	Client: Cavanova
	Unit: mm			Material: Varios
	Description: Dimensiones con la puerta abierta			Reference: cv046t
				Count:
				Pages: 3 OF 4



DIMENSIONES RECOMENDADAS	
ALTO	830-890mm
ANCHO	605mm
PROFUNDO	590mm

Salida y entrada de aire refrigeración del equipo
(NO OBSTRUIR)

SECCIÓN G-G
ESCALA 1 : 10



HUECO PARA INTEGRAR NEVERA

Date	Name	 <small>THE INFORMATION CONTAINED IN THIS DRAWING IS THE SOLE PROPERTY OF CAVANOVA WINE S.L. IN MÁLAGA, SPAIN. ANY REPRODUCTION IN PART OR AS A WHOLE WITHOUT THE WRITTEN PERMISSION OF CAVANOVA WINE S.L. IS PROHIBITED.</small>		
Design: 08/11/2018	Diego			
Checked:	Diego	Part name: CV046T-ENTORNO	Top assembly: CV046T	Client:
Modified:	Diego			Material:
Scale: 1:20		Description: Integración del equipo en mueble	Reference: CV046T-ENTORNO	Count:
Unit: mm				Pages: 4 OF 4

Sign: